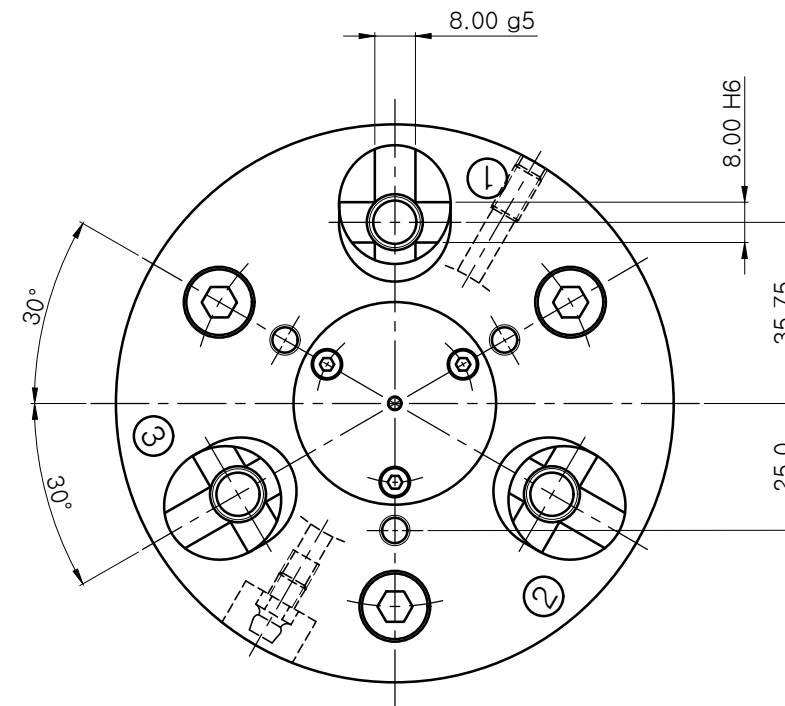
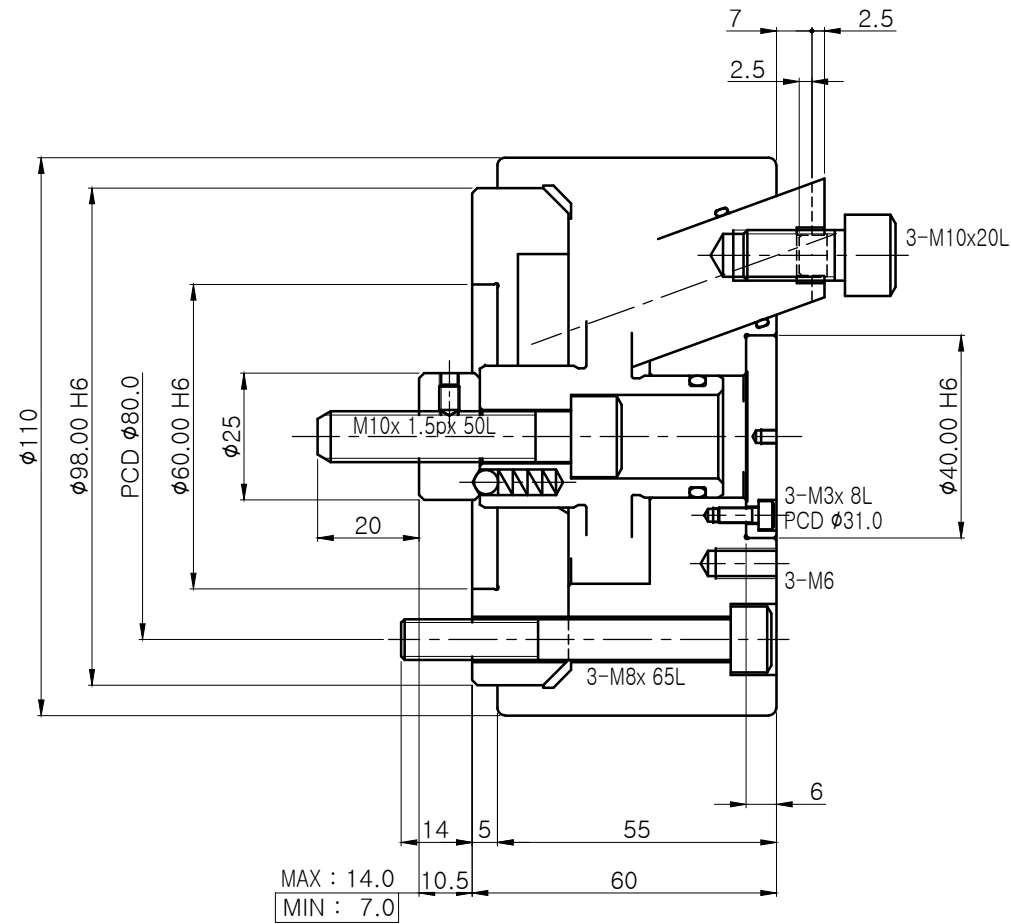


No.	REVISIONS	DATE	DRAWN	APP.
1				
2				



CHUCK SPEC.	
CHUCK SPEC.	DDL-04
PLUNGER STROKE	7.0 mm
JAW STROKE	5.0 mm
MAX. INPUT FORCE	600 kgf
CLAMPING FORCE	1,500 kgf
MAX. SPEED	3,500 rpm
MOMENT OF INERTIAL	0.03kgf.m ²
WEIGHT	4.5 kg

01	BLANK CHUCK	STD.	DDL-04	1SET	-
NO.	TITLE OF ITEM	MATERIAL	SIZE & SPEC.	Q'TY	NOTE
TITLE	DRAW DOWN CHUCK (DDL-04)		PART NAME	ASSEMBLY DRAWING	
DWG. NO.	DDL-04		AGENCY	-	
CODE NO.	-		USER	-	
			DATE	-	
SCALE	1 : 1		Approved	Checked	Designed

