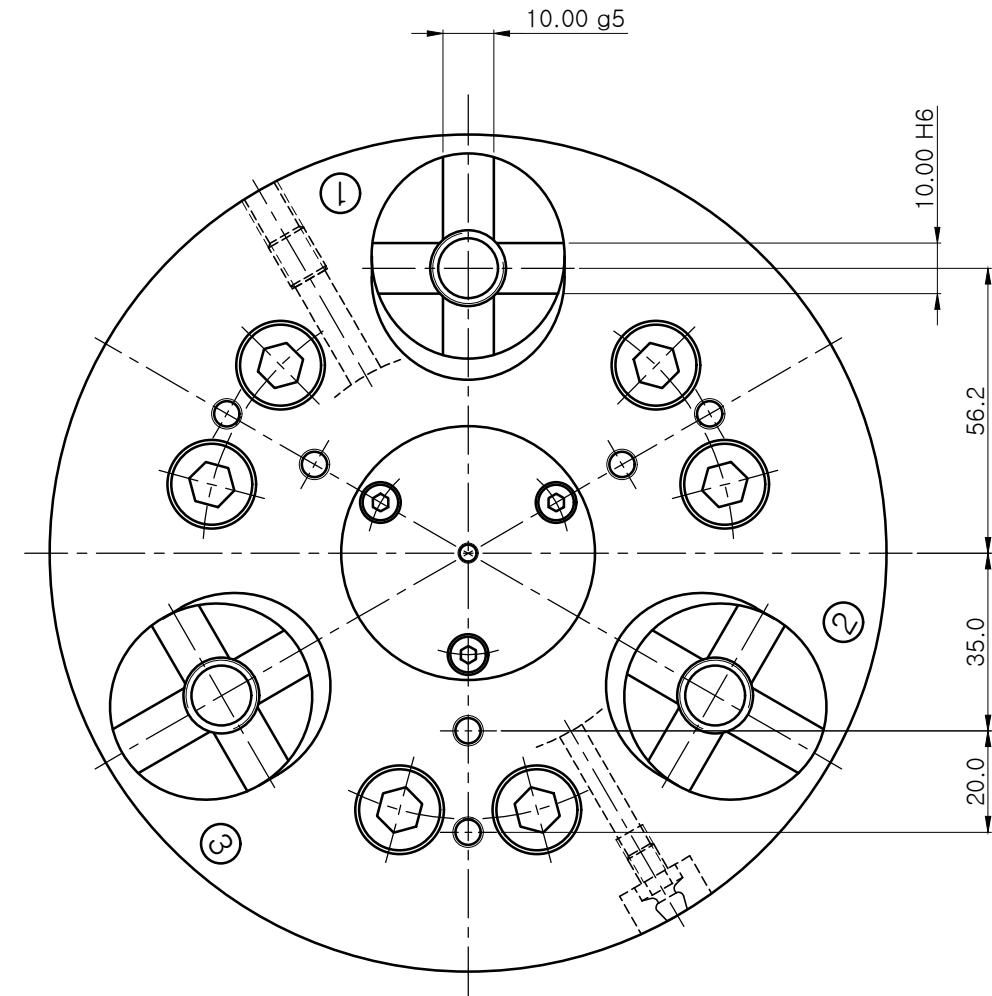
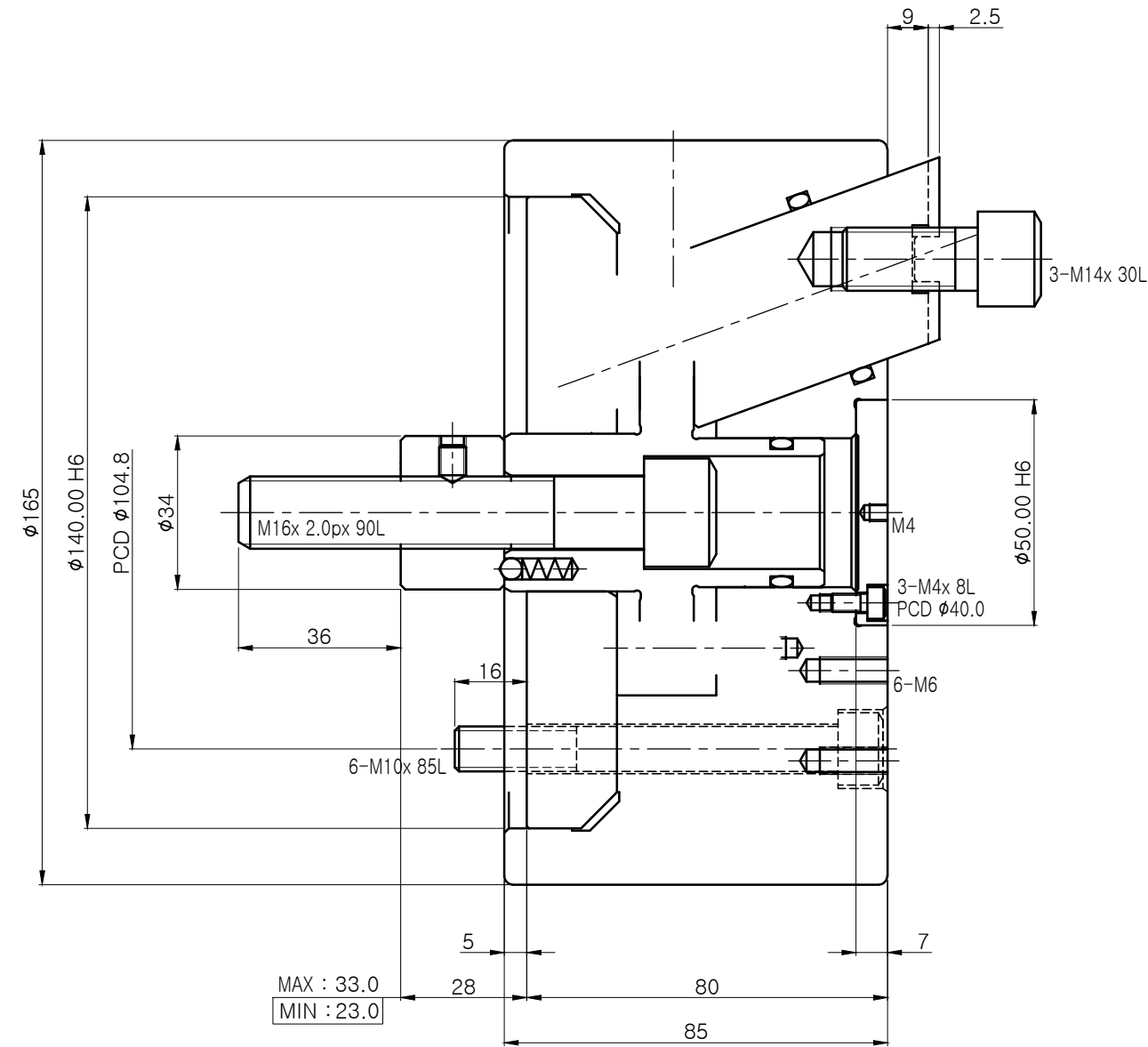


No.	REVISIONS	DATE	DRAWN	APP.
①				
②				



CHUCK SPEC.	
CHUCK SPEC.	DDL-06
PLUNGER STROKE	10 mm
JAW STROKE	7.2 mm
MAX. INPUT FORCE	1,500 kgf
CLAMPING FORCE	2,500 kgf
MAX. SPEED	3,500 rpm
MOMENT OF INERTIAL	0.18kgf.m <sup>2</sup>
WEIGHT	14 kg

01	BLANK CHUCK	STD.	DDL-06	1SET	-
NO.	TITLE OF ITEM	MATERIAL	SIZE & SPEC.	Q'TY	NOTE
TITLE	DRAW DOWN CHUCK (DDL-06)		PART NAME	ASSEMBLY DRAWING	
DWG. NO.	DDL-06		AGENCY	-	
CODE NO.	-		USER	-	
			DATE	-	
SCALE	1 : 1	Approved	Checked	Designed	