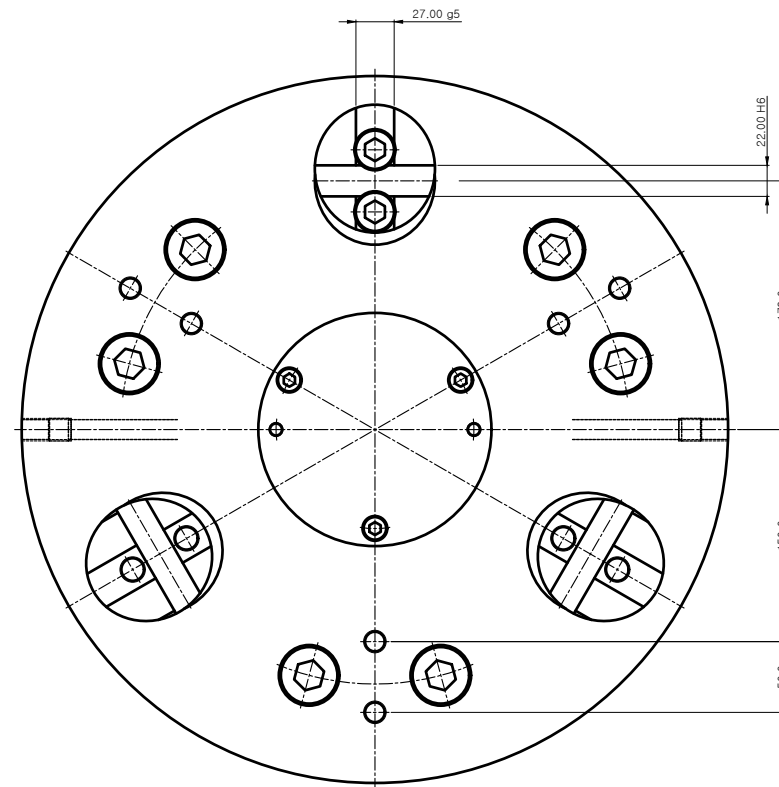
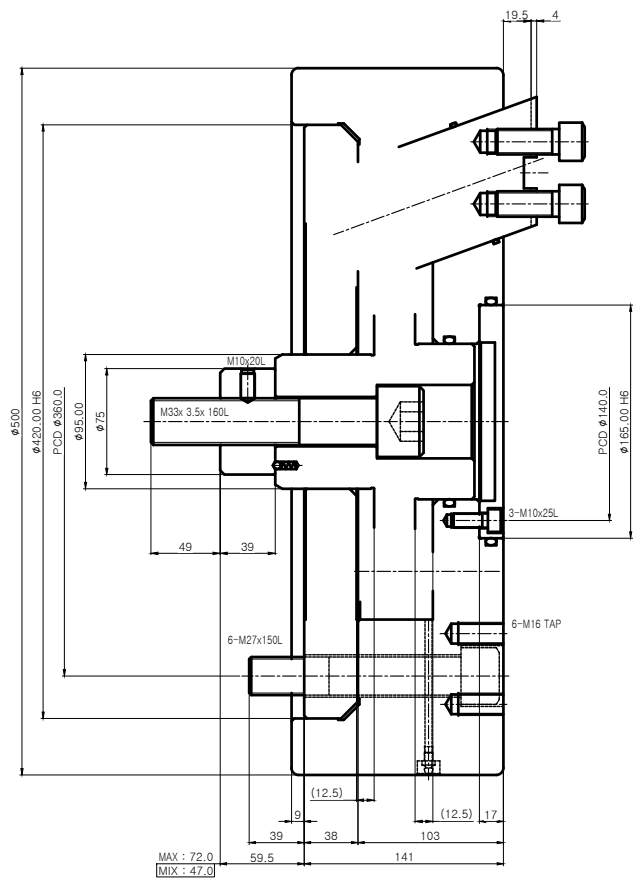


A0



CHUCK SPEC.	
CHUCK SPEC.	DDL-20
PLUNGER STROKE	25 mm
JAW STROKE	18.0 mm
MAX. INPUT FORCE	9,100 kgf
CLAMPING FORCE	23,800 kgf
MAX. SPEED	1,700 rpm
MOMENT OF INERTIAL	12.0kgf.m²
WEIGHT	230 kg

NO.	TITLE OF ITEM	MATERIAL	SIZE & SPEC.	QTY	NOTE																
1	BLANK CHUCK		DDL-20	1SET																	
<table border="1"> <thead> <tr> <th>TITLE</th> <th>DRAW DOWN CHUCK (DDL-20)</th> <th>PRT NAME</th> <th>ASSEMBLY DRAWING</th> </tr> </thead> <tbody> <tr> <td>DWG. NO.</td> <td>DDL-20</td> <td>AGENCY</td> <td>--</td> </tr> <tr> <td>CODE NO.</td> <td>--</td> <td>USER</td> <td>--</td> </tr> <tr> <td>DATE</td> <td></td> <td>DATE</td> <td></td> </tr> </tbody> </table>						TITLE	DRAW DOWN CHUCK (DDL-20)	PRT NAME	ASSEMBLY DRAWING	DWG. NO.	DDL-20	AGENCY	--	CODE NO.	--	USER	--	DATE		DATE	
TITLE	DRAW DOWN CHUCK (DDL-20)	PRT NAME	ASSEMBLY DRAWING																		
DWG. NO.	DDL-20	AGENCY	--																		
CODE NO.	--	USER	--																		
DATE		DATE																			
<table border="1"> <thead> <tr> <th>SCALE</th> <th>1:1</th> <th>Approved</th> <th>Checked</th> <th>Designed</th> <th>DATE</th> </tr> </thead> <tbody> <tr> <td></td> <td></td> <td></td> <td></td> <td></td> <td></td> </tr> </tbody> </table>						SCALE	1:1	Approved	Checked	Designed	DATE										
SCALE	1:1	Approved	Checked	Designed	DATE																