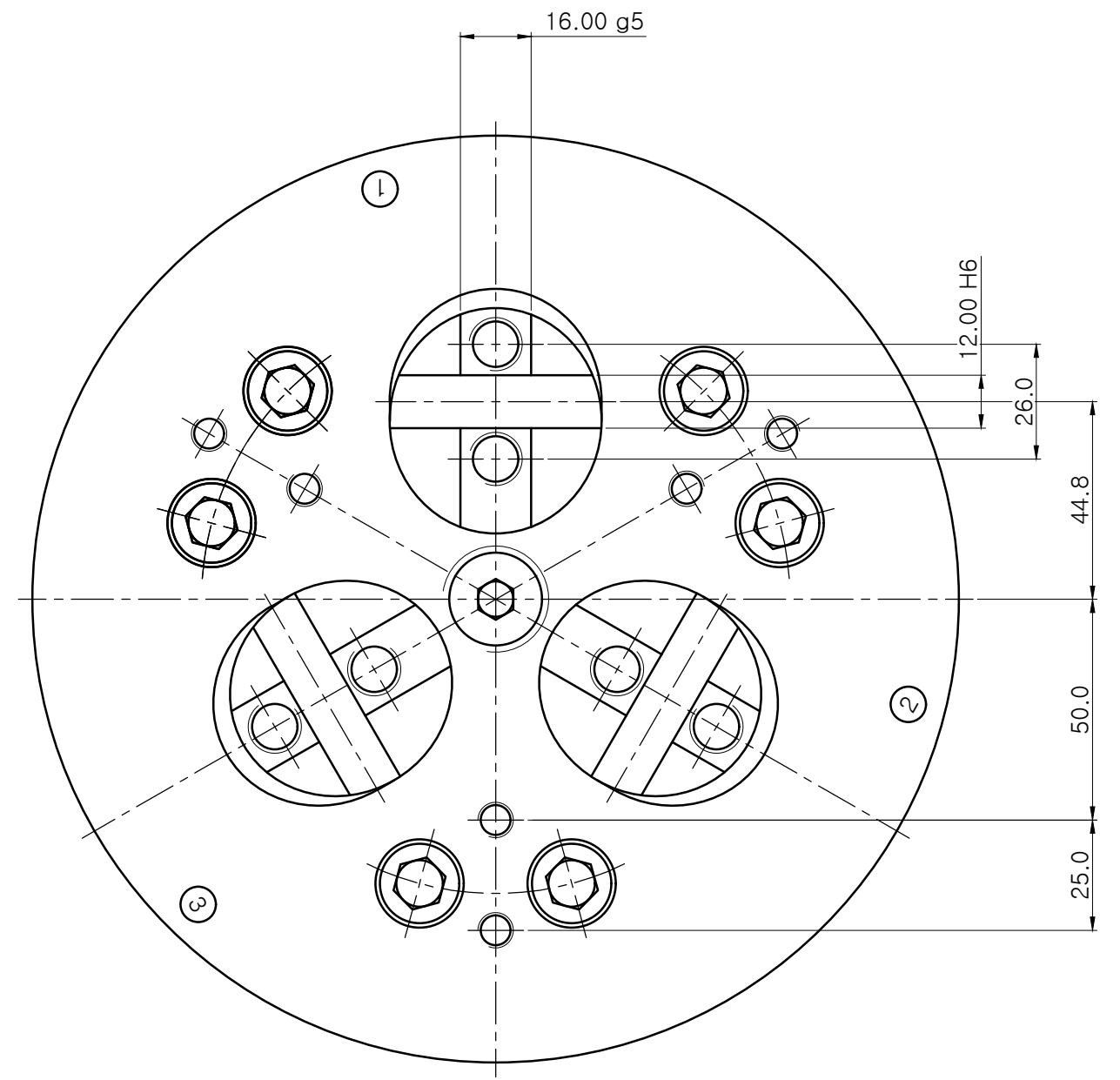
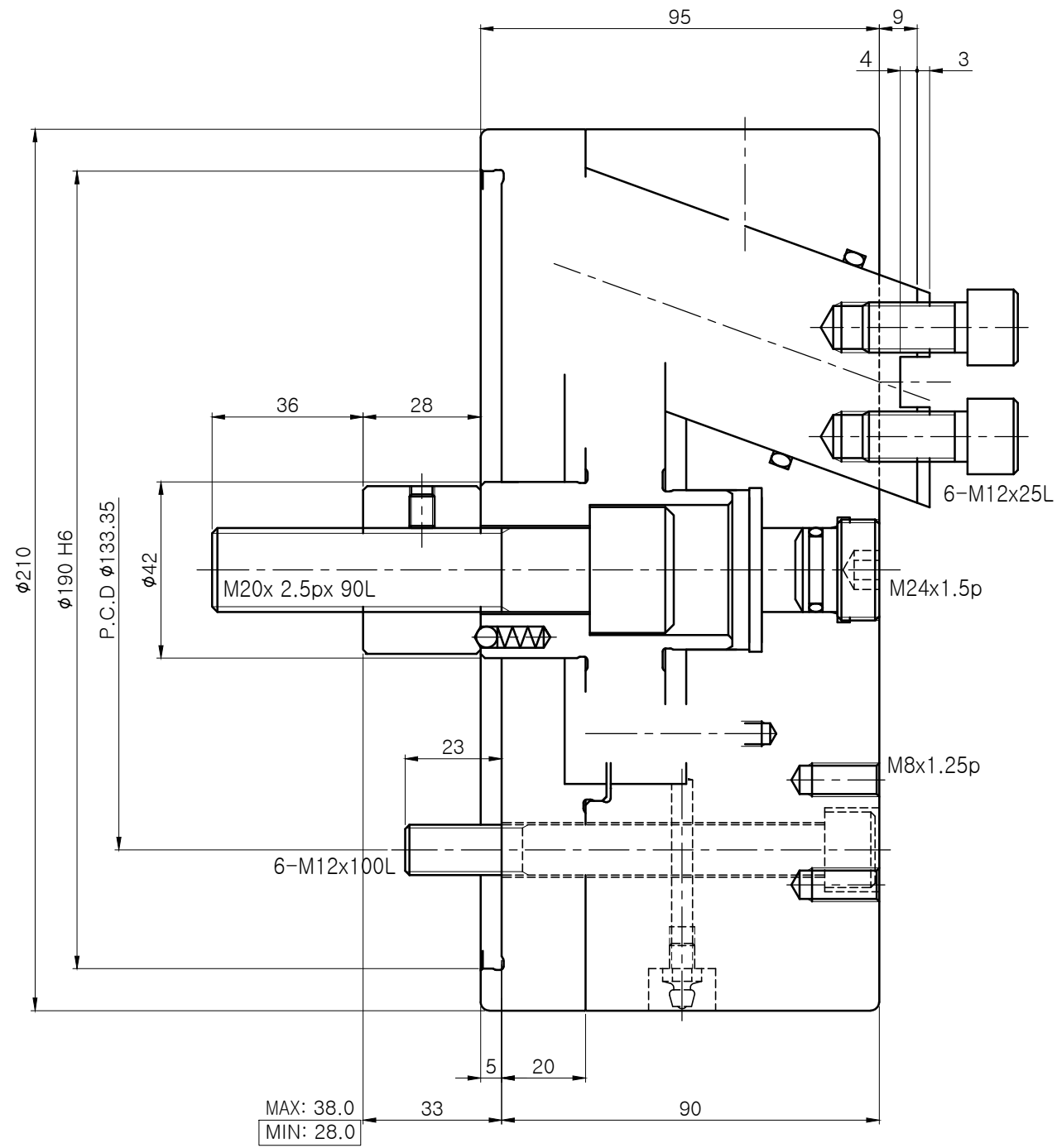


No.	REVISIONS	DATE	DRAWN	APP.
1				
2				



CHUCK SPEC.	
CHUCK SPEC.	DDO-08
PLUNGER STROKE	10 mm
JAW STROKE	7.2 mm
MAX. INPUT FORCE	2,500 kgf
CLAMPING FORCE	4,500 kgf
MAX. SPEED	4,500 rpm
MOMENT OF INERTIAL	0.66kgf.m ²
WEIGHT	26 kg

01	BLANK CHUCK	STD.	DDO-08	1SET	-			
NO.	TITLE OF ITEM	MATERIAL	SIZE & SPEC.	Q'TY	NOTE			
	DRAW DOWN CHUCK (DDO-08)		PART NAME	ASSEMBLY DRAWING				
DWG. NO.	DDO-08		AGENCY	-				
CODE NO.	-		USER	-				
			DATE	-				
SCALE	1 : 1		<table border="1"> <tr> <td>Approved</td> <td>Checked</td> <td>Designed</td> </tr> </table>			Approved	Checked	Designed
Approved	Checked	Designed						

