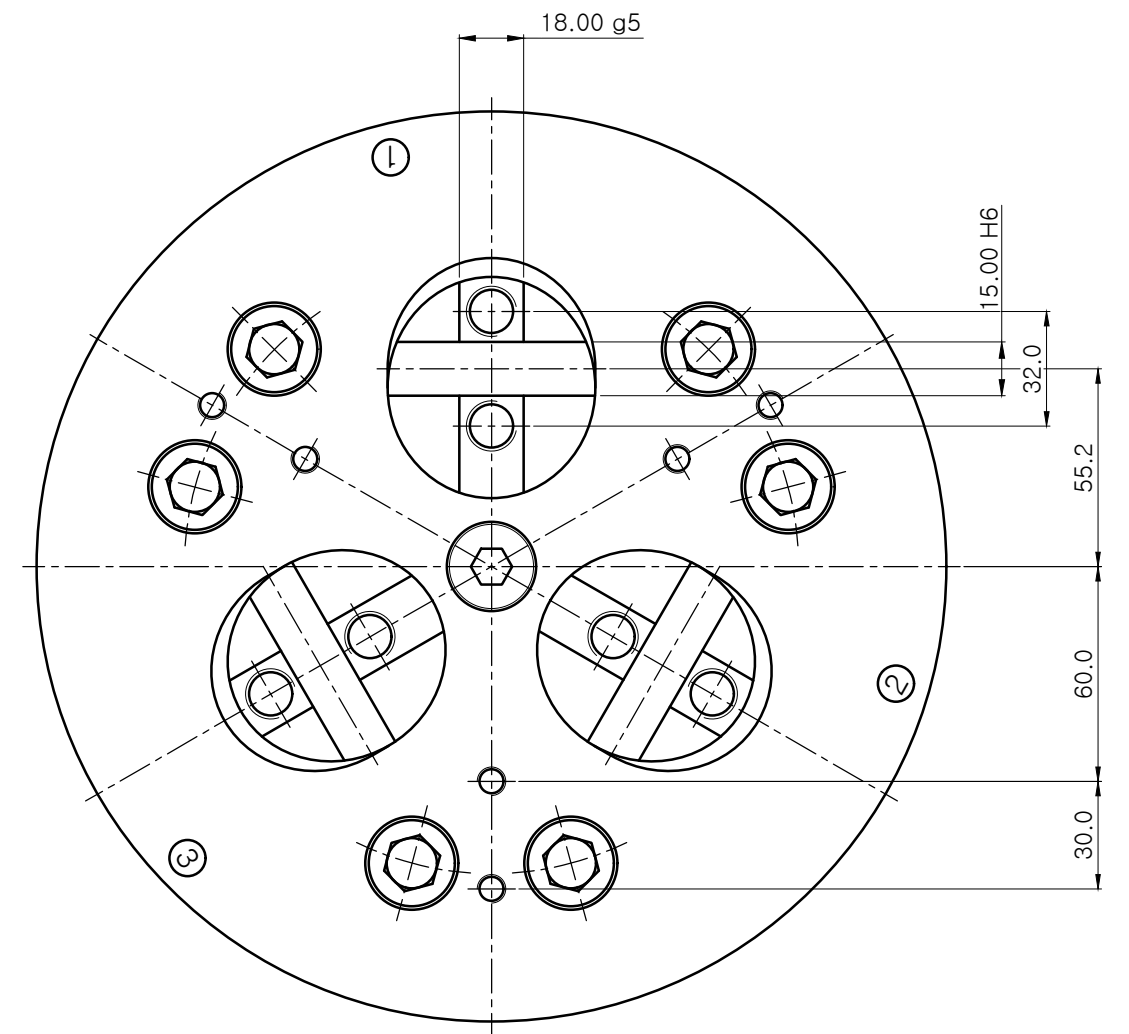
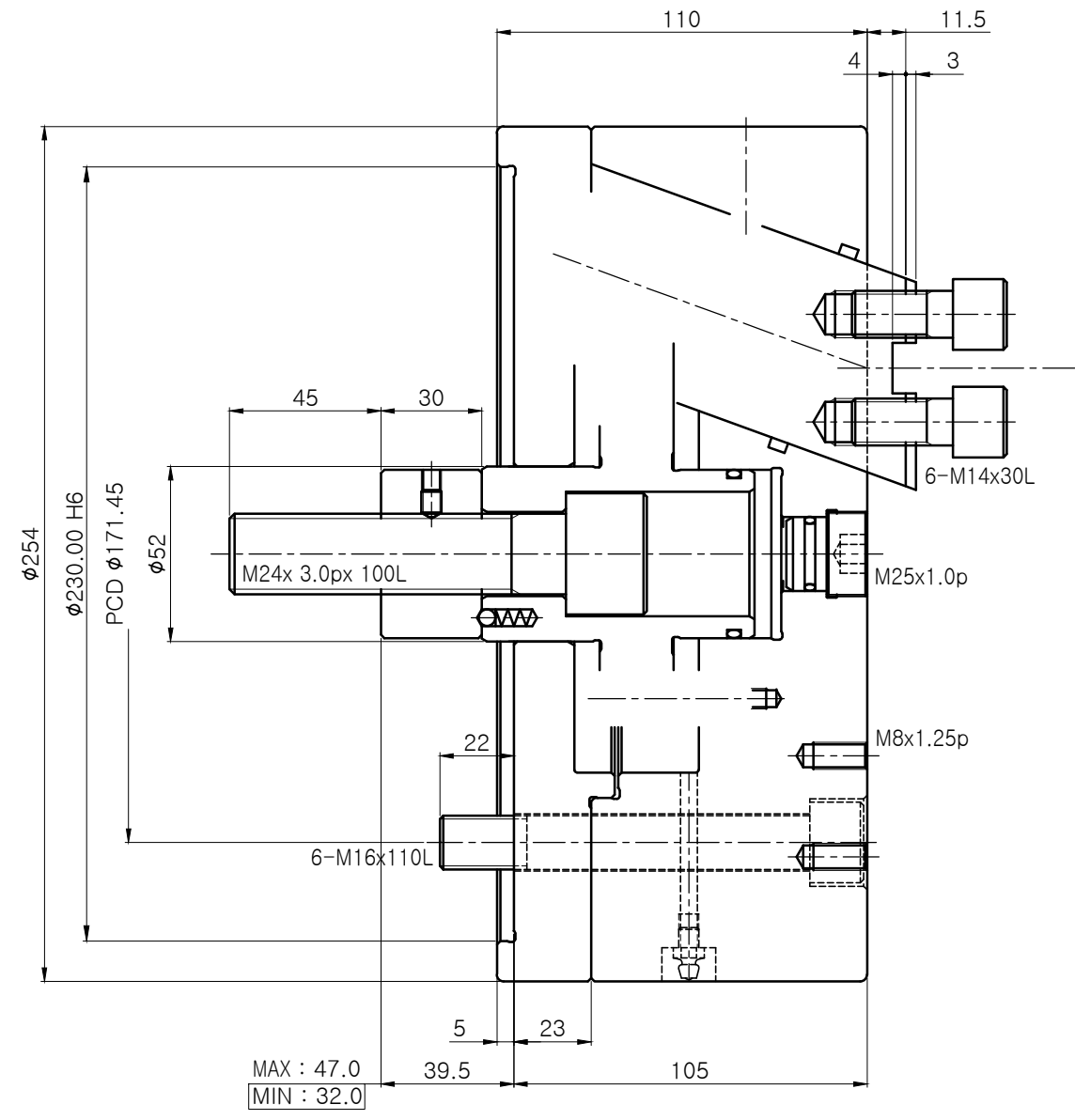


No.	REVISIONS	DATE	DRAWN	APP.
①				
②				



CHUCK SPEC.	
CHUCK SPEC.	DDO-10
PLUNGER STROKE	15 mm
JAW STROKE	10.8 mm
MAX. INPUT FORCE	3,500 kgf
CLAMPING FORCE	6,000 kgf
MAX. SPEED	4,500 rpm
MOMENT OF INERTIAL	1.5kgf.m ²
WEIGHT	44 kg

1	BLANK CHUCK	STD.	DDO-10	1SET	-
NO.	TITLE OF ITEM	MATERIAL	SIZE & SPEC.	Q'TY	NOTE
TITLE	DRAW DOWN CHUCK (DDO-10)		PART NAME	ASSEMBLY DRAWING	
DWG. NO.	DDO-10		AGENCY	-	
CODE NO.	-		USER	-	
			DATE	-	
SCALE	1 : 1	Approved	Checked	Designed	