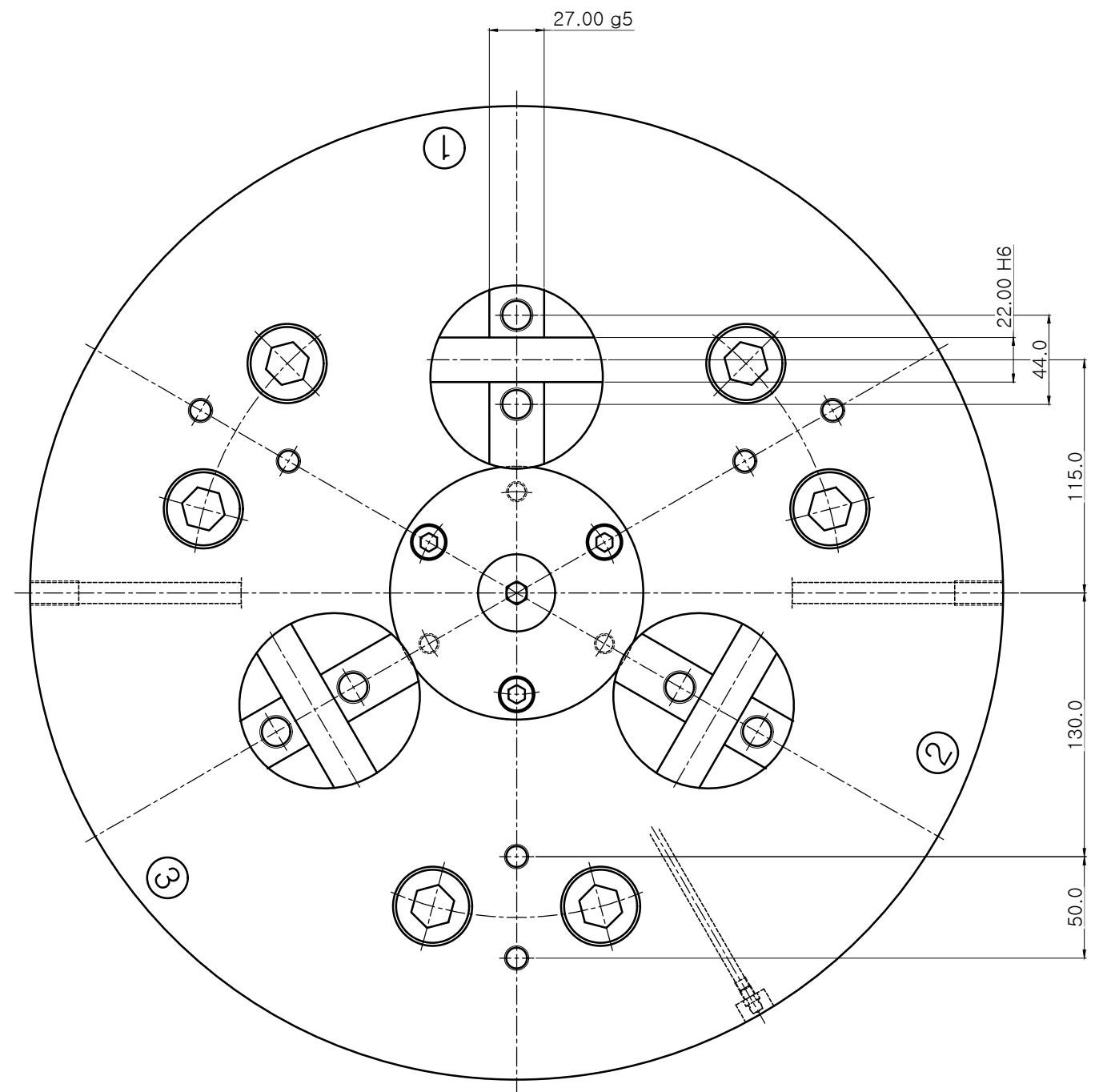
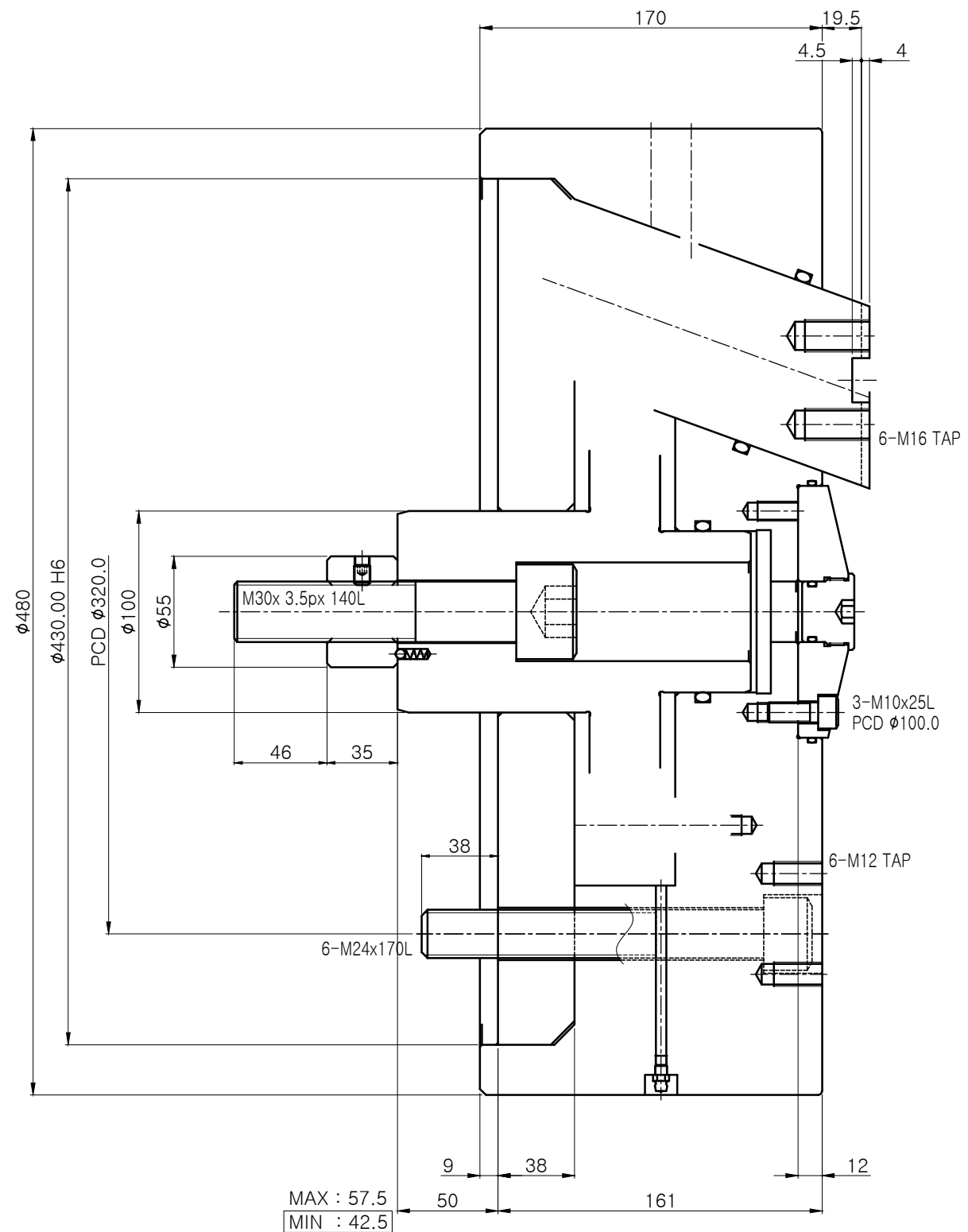


| No. | REVISIONS | DATE | DRAWN | APP. |
|-----|-----------|------|-------|------|
| △ | | | | |
| △ | | | | |



| CHUCK SPEC. | |
|--------------------|-----------------------|
| CHUCK SPEC. | DDO-18 |
| PLUNGER STROKE | 15 mm |
| JAW STROKE | 10.9 mm |
| MAX. INPUT FORCE | 5,500 kgf |
| CLAMPING FORCE | 9,000 kgf |
| MAX. SPEED | 1,200 rpm |
| MOMENT OF INERTIAL | 11 kgf.m ² |
| WEIGHT | 185 kg |

| NO. | TITLE OF ITEM | MATERIAL | SIZE & SPEC. | Q'TY | NOTE |
|----------|---------------|--------------------------|--------------|-----------|------------------|
| 1 | BLANK CHUCK | STD. | DDO-18 | 1SET | - |
| TITLE | | DRAW DOWN CHUCK (DDO-18) | | PART NAME | ASSEMBLY DRAWING |
| DWG. NO. | | DDO-18 | | AGENCY | - |
| CODE NO. | | - | | USER | - |
| SCALE | | 1 : 1 | | DATE | - |
| APPROVED | | Checked | Designed | | |