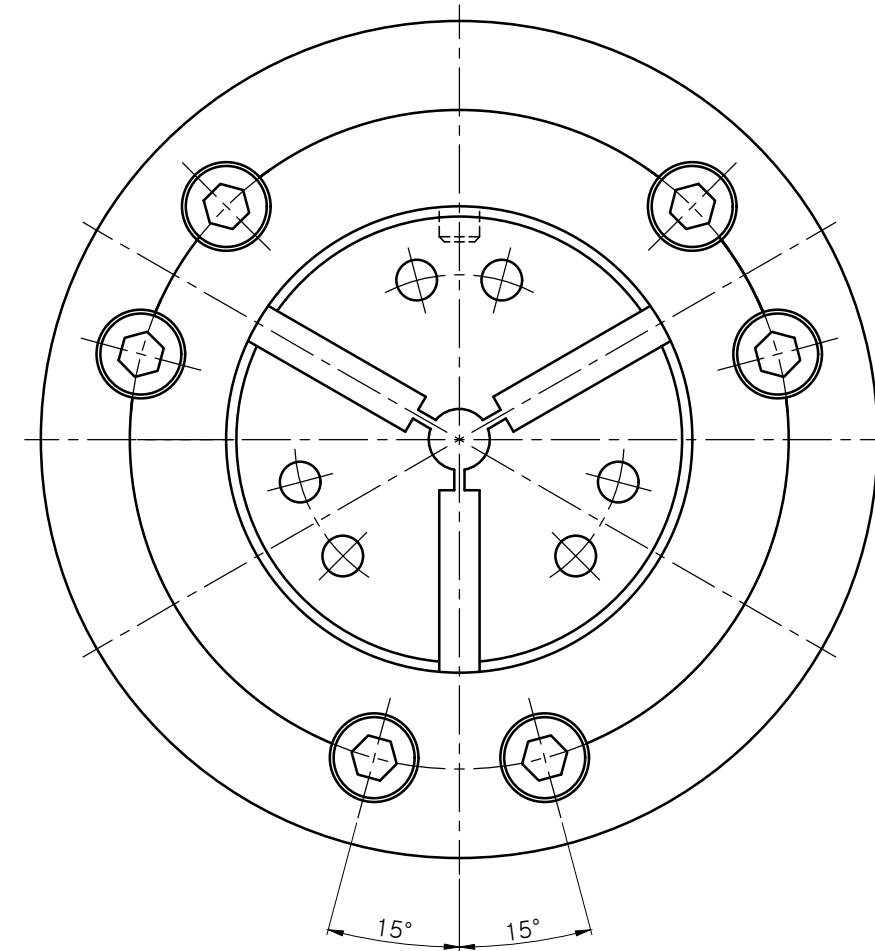
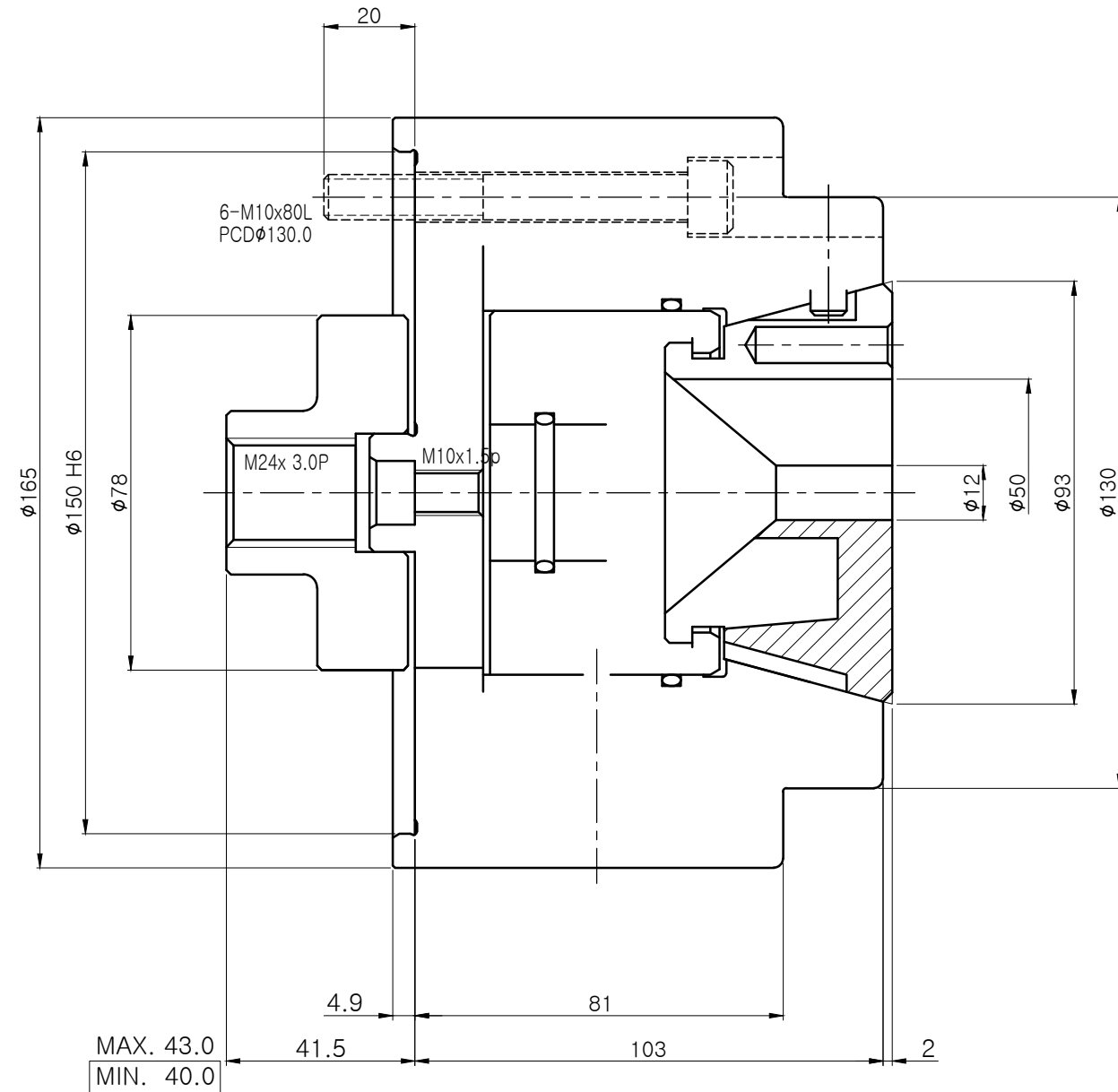


No.	REVISIONS	DATE	DRAWN	APP.
①				
②				



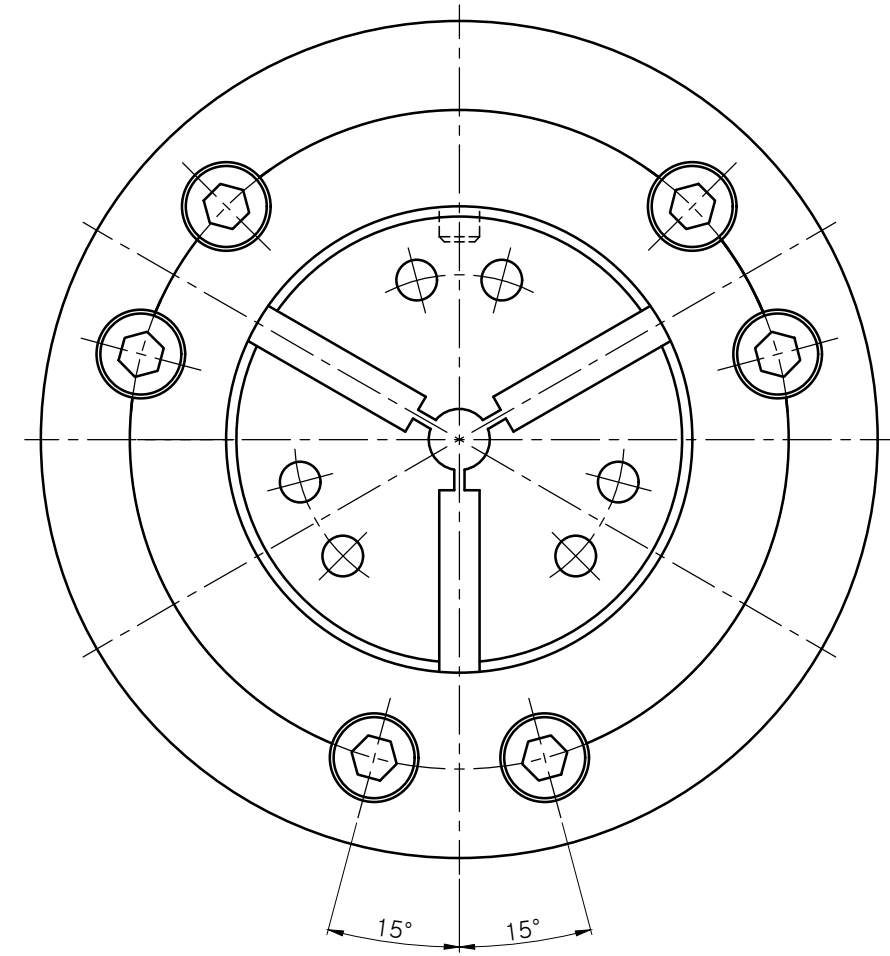
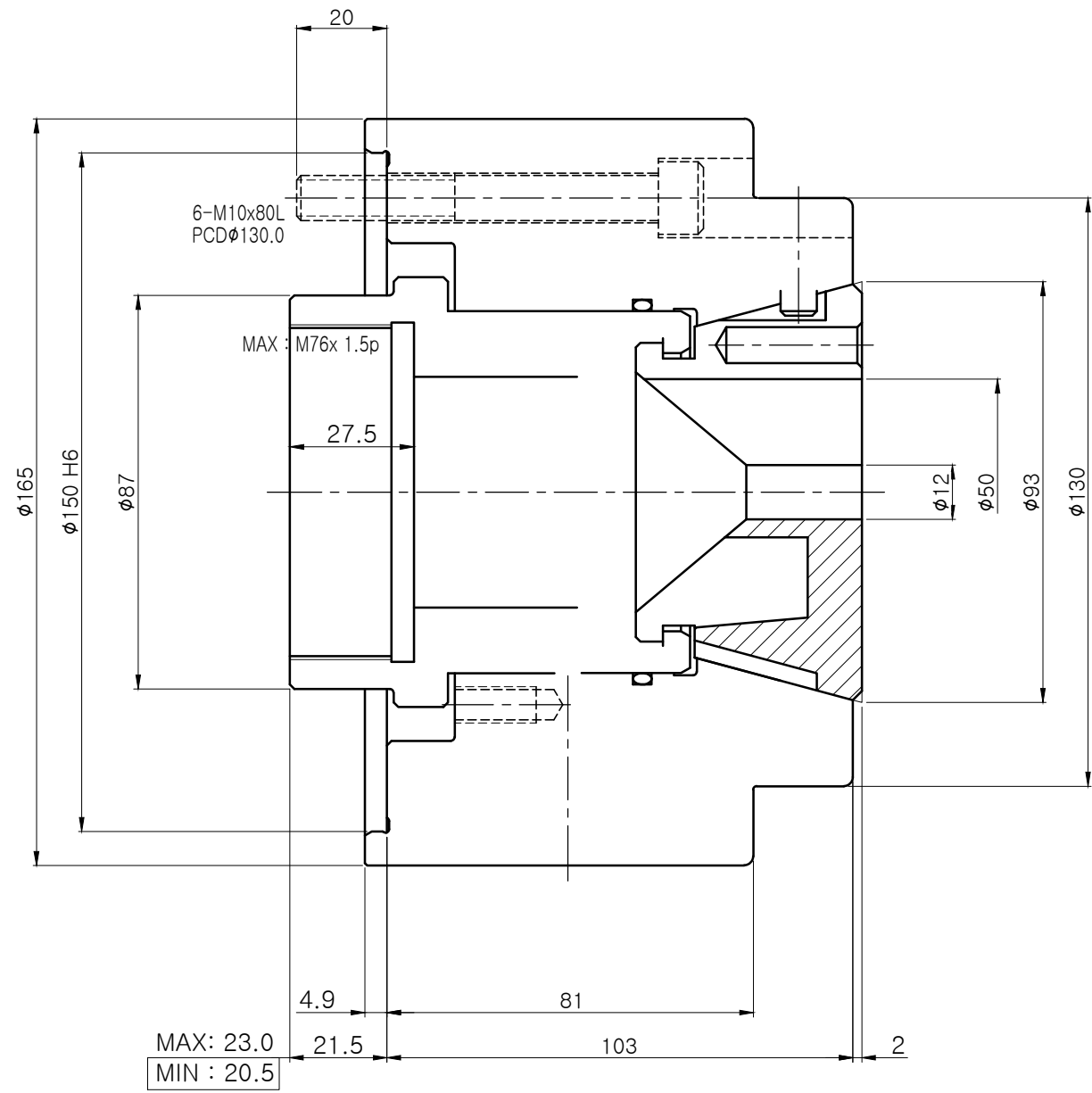
CHUCK SPEC.	
CHUCK SPEC.	COR-50B
PLUNGER STROKE	3 mm
JAW STROKE	φ1 mm
MAX. INPUT FORCE	4,100 kgf
CLAMPING FORCE	8,200 kgf
MAX. SPEED	4,500 rpm
MOMENT OF INERTIAL	- kgf.m ²
WEIGHT	25 kg

표준 파악 범위(mm) φ12 ~ φ50(mm)

-	CHANGING FIXTURE	STD.	-	-	주문사양
-	ADAPTER	STD.	-	-	주문사양
-	COLLET	STD.	-	-	주문사양
01	BLANK CHUCK	STD.	COR-50B	1SET	-
NO.	TITLE OF ITEM	MATERIAL	SIZE & SPEC.	Q'TY	NOTE
TITLE	OUTSIDE COLLET CHUCK (COR-50B)		PART NAME	ASSEMBLY DRAWING	
DWG. NO.	COR-50B		AGENCY	-	
CODE NO.	-		USER	-	
			DATE	-	
SCALE	1 : 1		Approved	Checked	Designed

SAMCHULLY

No.	REVISIONS	DATE	DRAWN	APP.
①				
②				



CHUCK SPEC.	
CHUCK SPEC.	COR-50
PLUNGER STROKE	3 mm
JAW STROKE	φ1 mm
MAX. INPUT FORCE	4,100 kgf
CLAMPING FORCE	8,200 kgf
MAX. SPEED	4,500 rpm
MOMENT OF INERTIAL	- kgf.m ²
WEIGHT	25 kg

표준 파삭 범위(mm)	φ12 ~ φ50(mm)
--------------	---------------

-	CHANGING FIXTURE	STD.	-	-	주문사양
-	ADAPTER	STD.	-	-	주문사양
-	COLLET	STD.	-	-	주문사양
01	BLANK CHUCK	STD.	COR-50	1SET	-
NO.	TITLE OF ITEM	MATERIAL	SIZE & SPEC.	Q'TY	NOTE
TITLE	OUTSIDE COLLET CHUCK (COR-50)		PART NAME	ASSEMBLY DRAWING	
DWG. NO.	COR-50		AGENCY	-	
CODE NO.	-		USER	-	
			DATE	-	
SCALE	1 : 1		Approved	Checked	Designed

