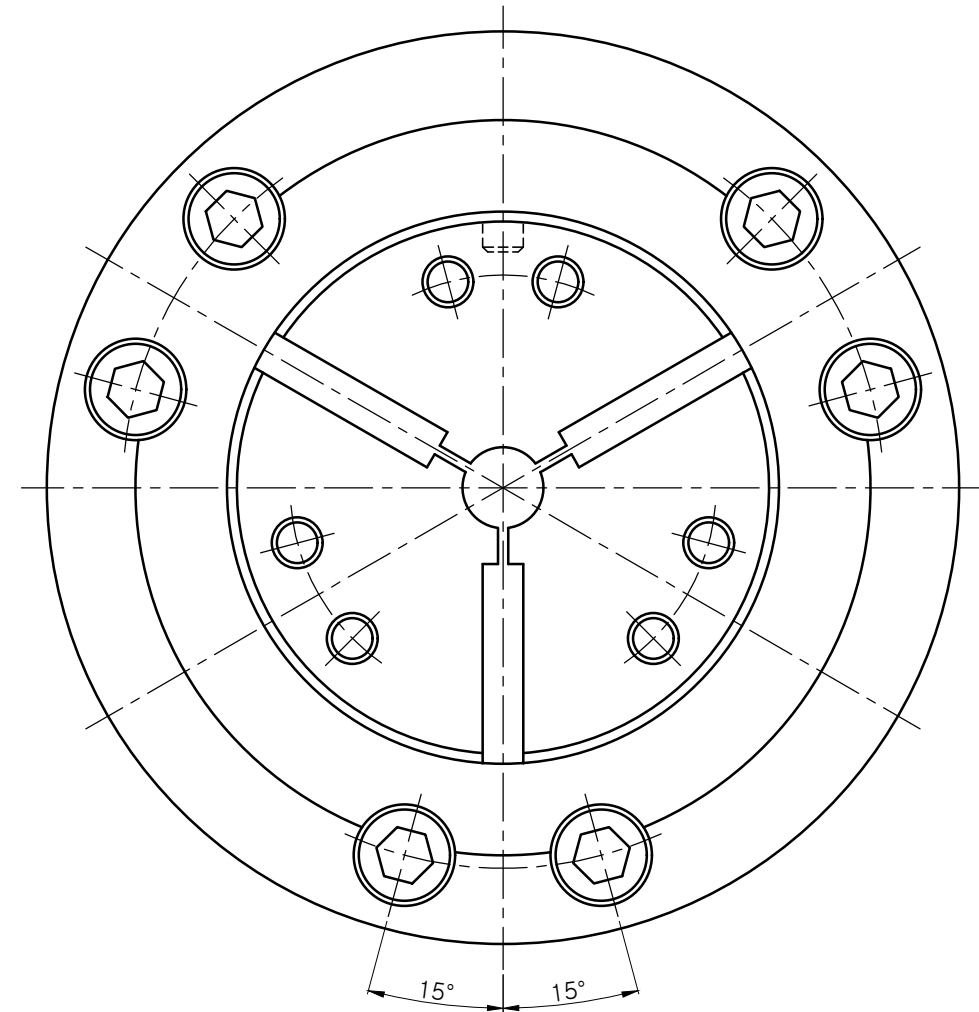
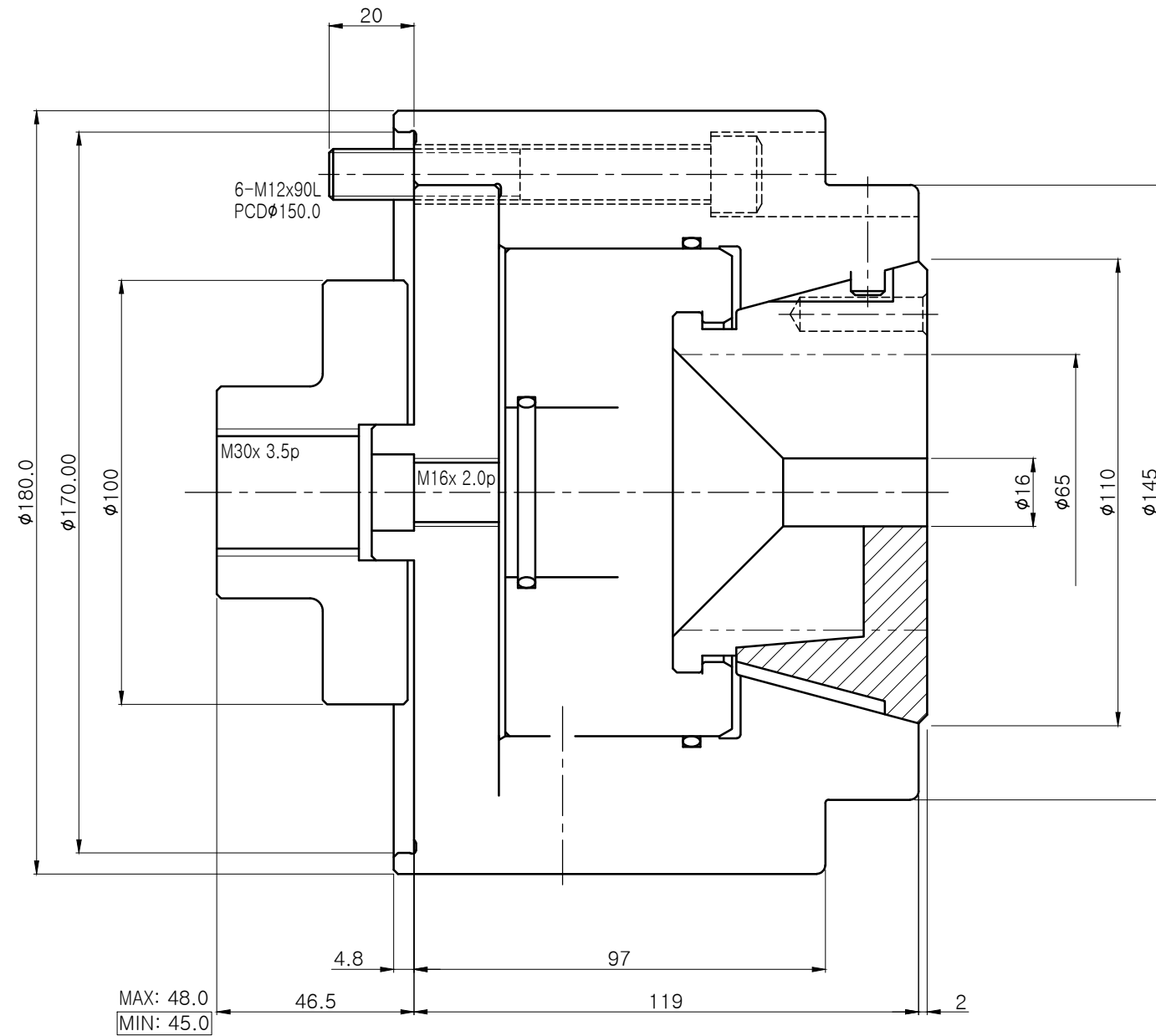


No.	REVISIONS	DATE	DRAWN	APP.
①				
②				



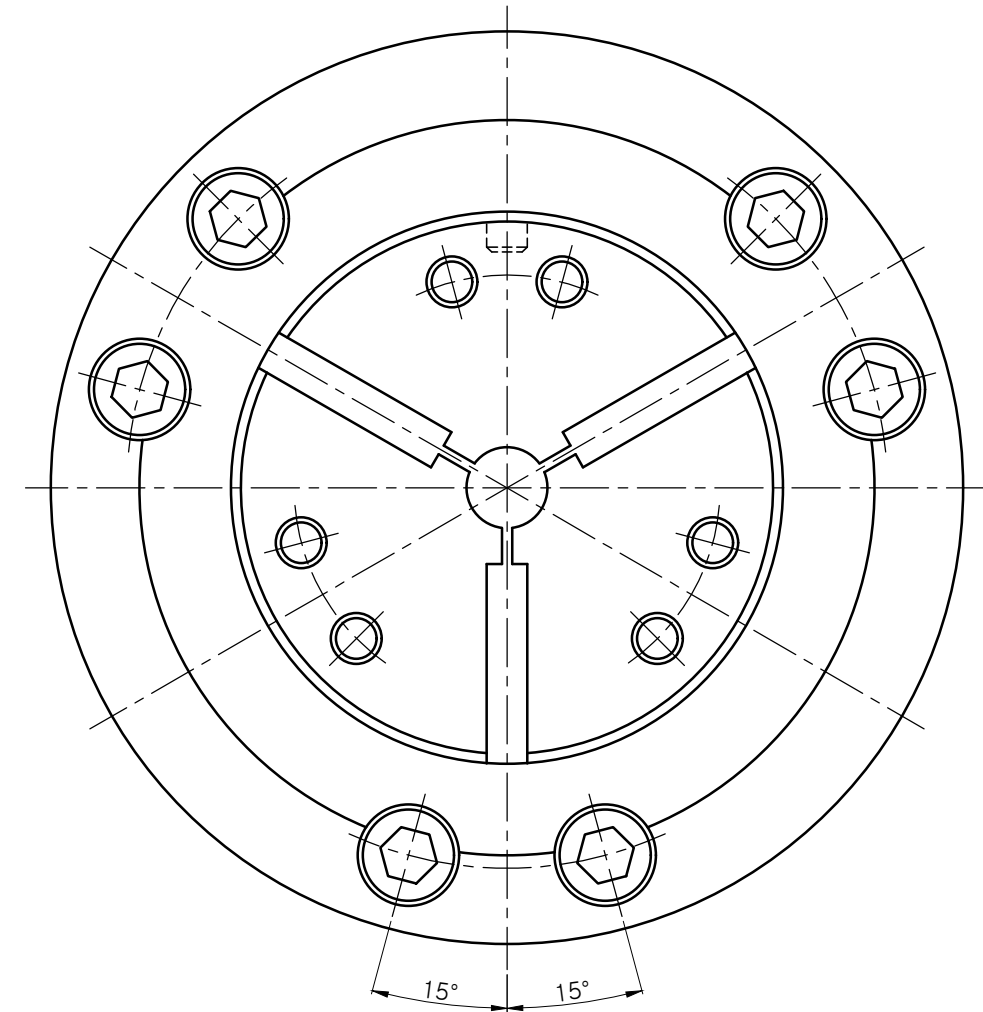
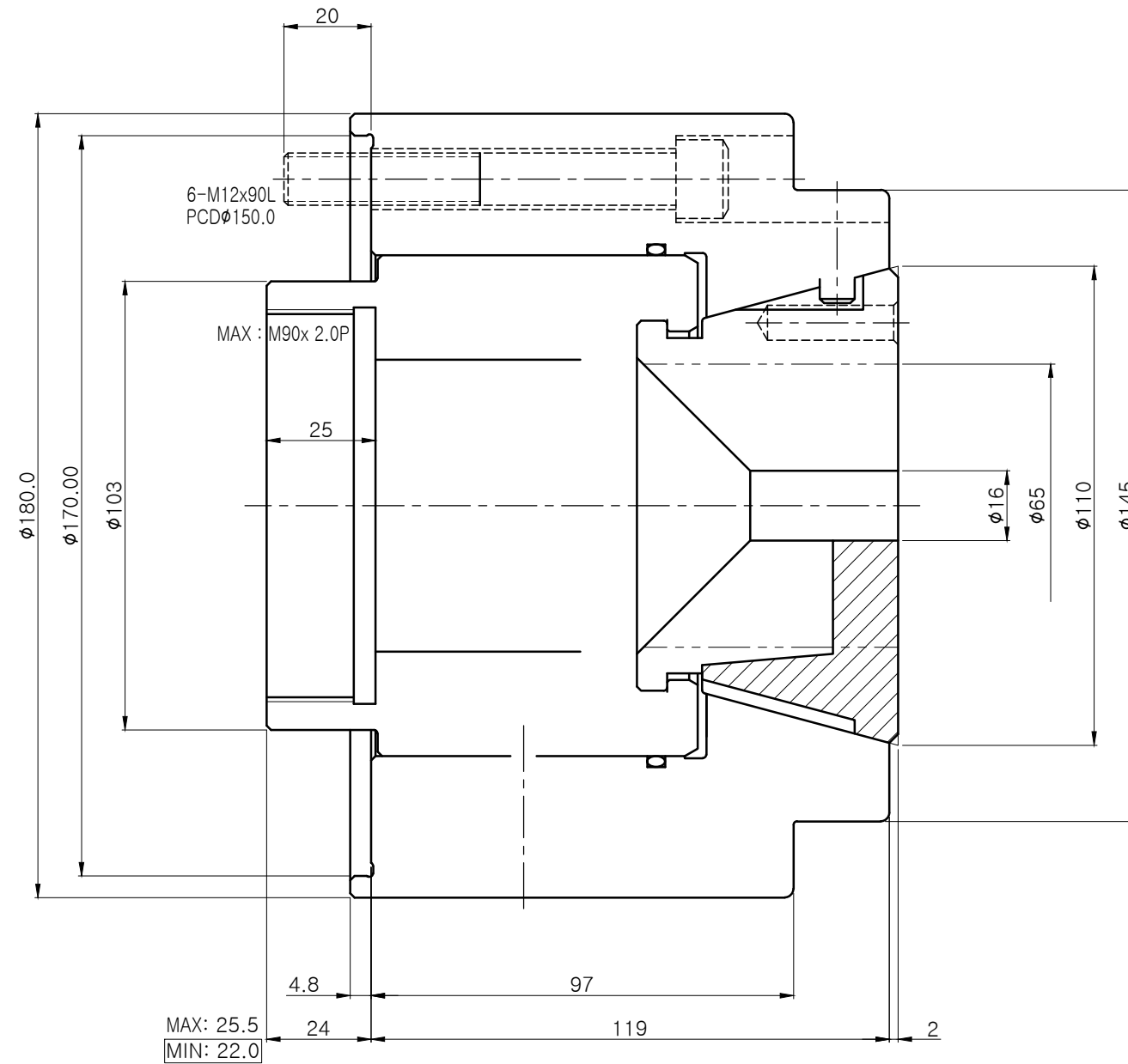
CHUCK SPEC.	
CHUCK SPEC.	COR-65B
PLUNGER STROKE	3.5 mm
JAW STROKE	φ1 mm
MAX. INPUT FORCE	4,600 kgf
CLAMPING FORCE	9,200 kgf
MAX. SPEED	4,000 rpm
MOMENT OF INERTIAL	- kgf.m ²
WEIGHT	32 kg

표준 파삭 범위(mm)	φ16 ~ φ65(mm)
--------------	---------------

-	CHANGING FIXTURE	STD.	-	-	주문사양
-	ADAPTER	STD.	-	-	주문사양
-	COLLET	STD.	-	-	주문사양
01	BLANK CHUCK	STD.	COR-65B	1SET	-
NO.	TITLE OF ITEM	MATERIAL	SIZE & SPEC.	Q'TY	NOTE
TITLE	OUTSIDE COLLET CHUCK (COR-65B)		PART NAME	ASSEMBLY DRAWING	
DWG. NO.	COR-65B		AGENCY	-	
CODE NO.	-		USER	-	
			DATE	-	
SCALE	1 : 1	Approved	Checked	Designed	



No.	REVISIONS	DATE	DRAWN	APP.
①				
②				



CHUCK SPEC.	
CHUCK SPEC.	COR-65
PLUNGER STROKE	3.5 mm
JAW STROKE	φ1 mm
MAX. INPUT FORCE	4,600 kgf
CLAMPING FORCE	9,200 kgf
MAX. SPEED	4,000 rpm
MOMENT OF INERTIAL	- kgf.m ²
WEIGHT	32 kg

표준 파삭 범위(mm)	φ16 ~ φ65(mm)
--------------	---------------

-	CHANGING FIXTURE	STD.	-	-	주문사양
-	ADAPTER	STD.	-	-	주문사양
-	COLLET	STD.	-	-	주문사양
01	BLANK CHUCK	STD.	COR-65	1SET	-
NO.	TITLE OF ITEM	MATERIAL	SIZE & SPEC.	Q'TY	NOTE
	OUTSIDE COLLET CHUCK (COR-65)		PART NAME	ASSEMBLY DRAWING	
DWG. NO.	COR-65		AGENCY	-	
CODE NO.	-		USER	-	
			DATE	-	
SCALE	1 : 1	Approved	Checked	Designed	

