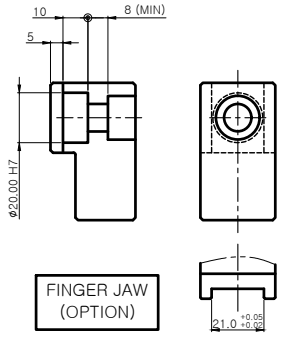
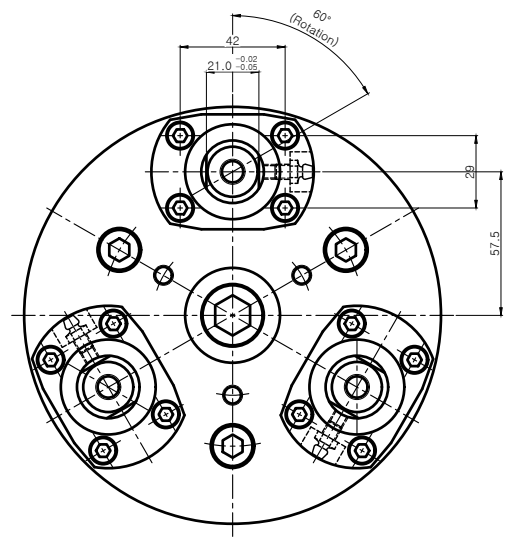
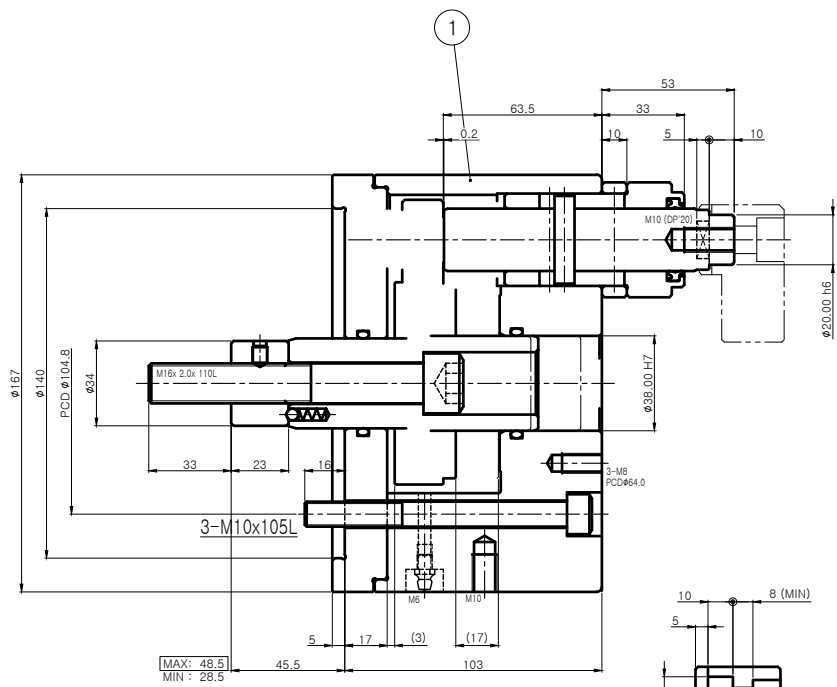


No.	REVISIONS	DATE	DRAWN	APP.
△				
△				



CHUCK SPEC.	
CHUCK SPEC.	FD-06
PLUNGER STROKE	20 mm
JAW STROKE	- mm
MAX. INPUT FORCE	1,500 kgf
CLAMPING FORCE	1,200 kgf
MAX. SPEED	3,500 rpm
MOMENT OF INERTIAL	0.12 kgf.m²
WEIGHT	20 kg

1	BLANK CHUCK	STD.	FD-06	1SET	-
NO.	TITLE OF ITEM	MATERIAL	SIZE & SPEC.	QTY	NOTE
	FINGER CHUCK (FD-06)	PART NAME	ASSEMBLY DRAWING		
DWG. NO.	FD-06-00	AGENCY	STANDARD		
CODE NO.	-	USER	STANDARD		
		DATE			
SCALE	1 : 1	Approved	Checked	Designed	