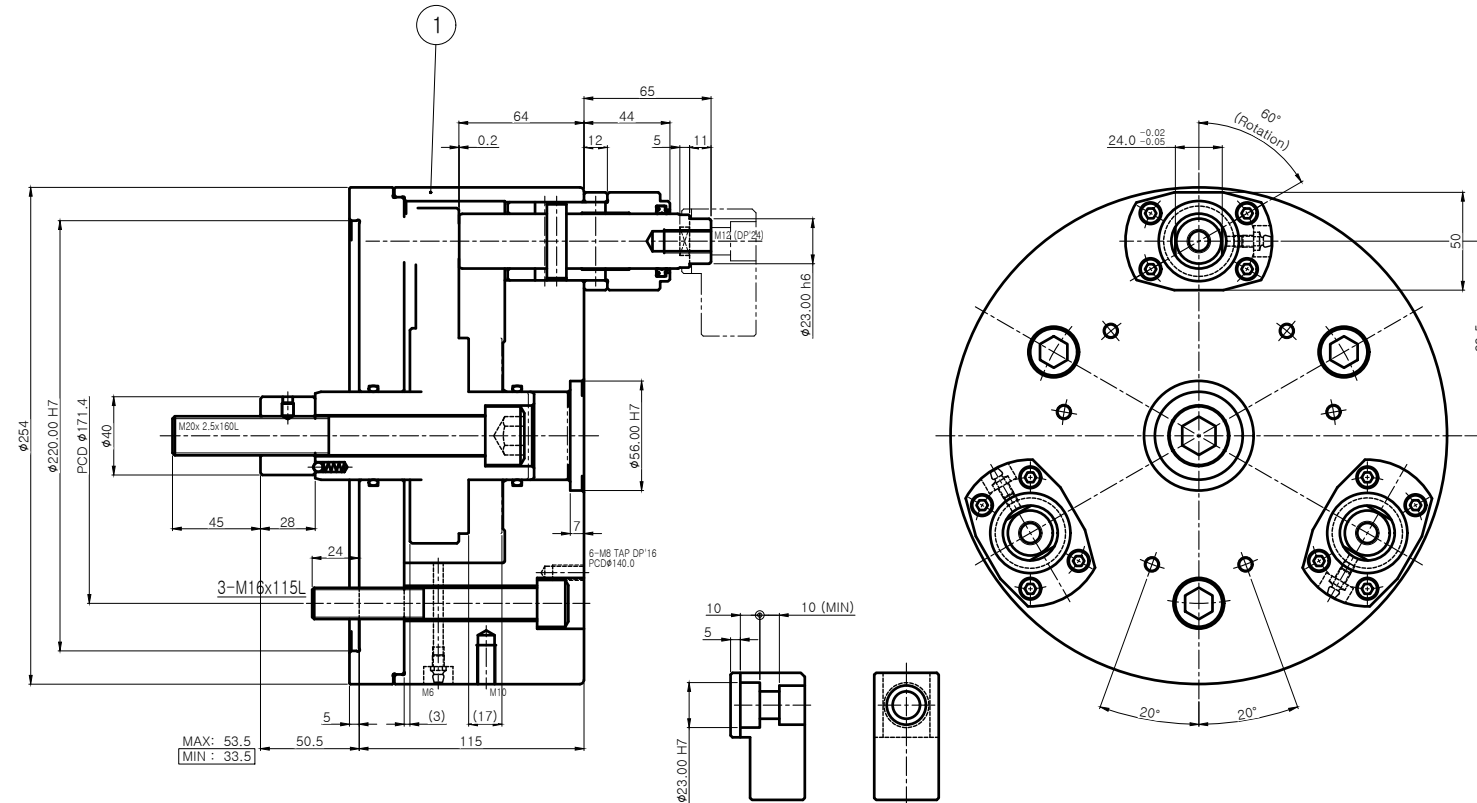


A1

No.	REVISIONS	DATE	DRAWN	APP.
△				
△				



CHUCK SPEC.	
CHUCK SPEC.	FD-10
PLUNGER STROKE	20 mm
JAW STROKE	. mm
MAX. INPUT FORCE	2,500 kgf
CLAMPING FORCE	2,000 kgf
MAX. SPEED	2,500 rpm
MOMENT OF INERTIAL	1.05 kgf.m ²
WEIGHT	44 kg

NO.	TITLE OF ITEM	MATERIAL	SIZE & SPEC.	QTY	NOTE
1	BLANK CHUCK	STD.	FD-10	1SET	-
TITLE		FINGER CHUCK (FD-10)		PART NAME	ASSEMBLY DRAWING
DWG. NO.	FD-10-00	AGENCY	STANDARD		
CODE NO.	-	USER	STANDARD		
SCALE		DATE		DESIGNED	
1 : 1		Approved	Checked	Designed	

