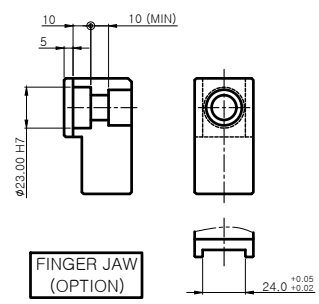
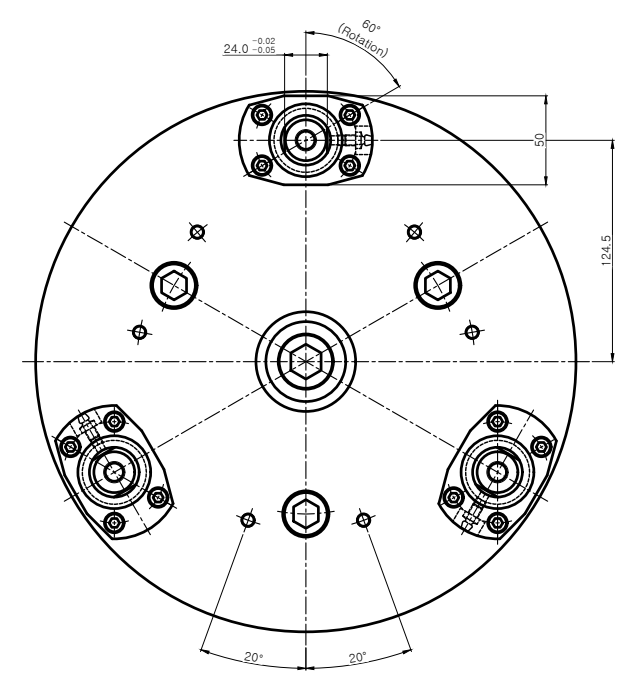
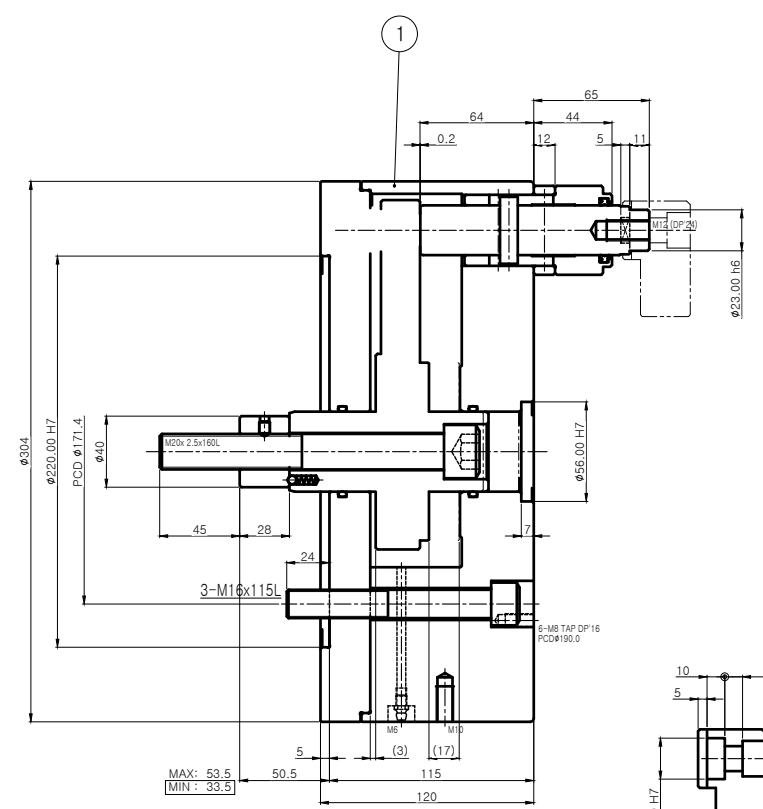


No.	REVISIONS	DATE	DRAWN	APP.
△				
△				



CHUCK SPEC.	
CHUCK SPEC.	FD-12
PLUNGER STROKE	20 mm
JAW STROKE	. mm
MAX. INPUT FORCE	2,500 kgf
CLAMPING FORCE	2,000 kgf
MAX. SPEED	2,000 rpm
MOMENT OF INERTIAL	2.17 kgf.m <sup>2</sup>
WEIGHT	54 kg

NO.	TITLE OF ITEM	MATERIAL	SIZE & SPEC.	QTY	NOTE
1	BLANK CHUCK	STD.	FD-12	1SET	-
TITLE		FINGER CHUCK (FD-12)		PART NAME ASSEMBLY DRAWING	
DWG. NO.		FD-12-00		AGENCY STANDARD	
CODE NO.		-		USER STANDARD	
SCALE		1:1		DATE	
SCALE		1:1		DATE	
SCALE		1:1		DATE	

