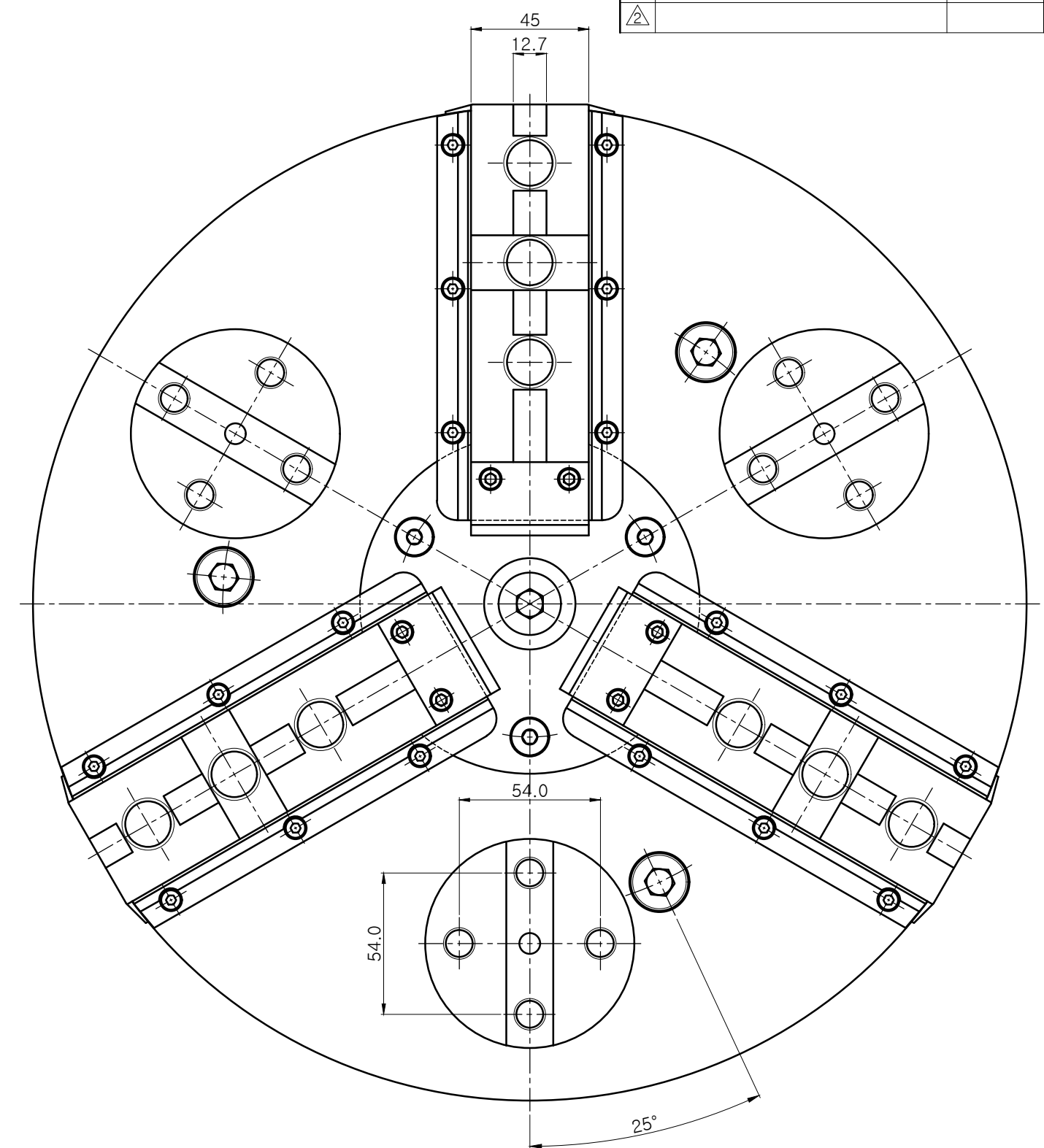
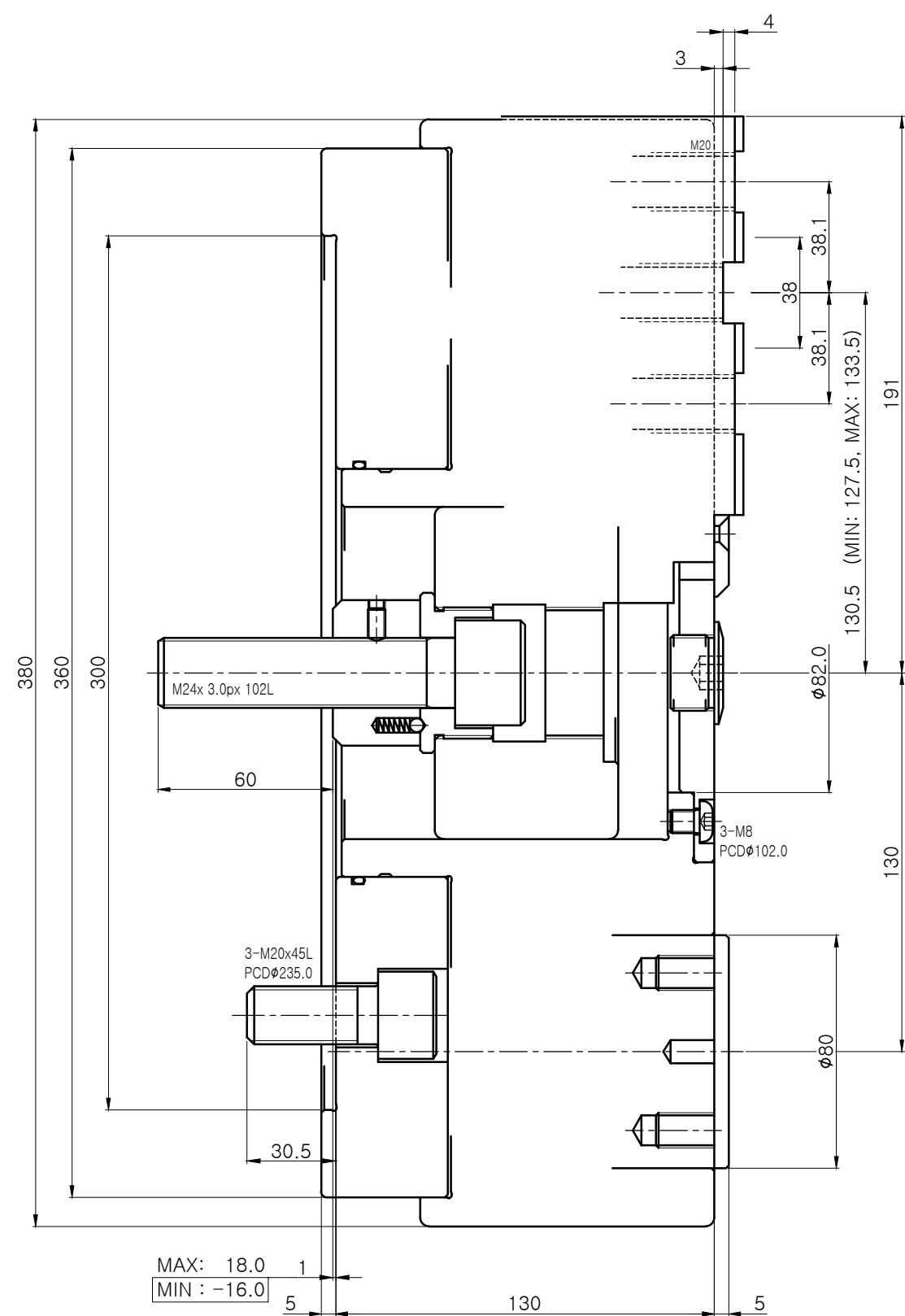


A1

No.	REVISIONS	DATE	DRAWN	APP.
①				
②				



MAX: 18.0
MIN: -16.0

CHUCK SPEC.	
CHUCK SPEC.	PHD-380
PLUNGER STROKE	34 mm
JAW STROKE	φ12 mm
MAX. INPUT FORCE	6,000 kgf
CLAMPING FORCE	16,500 kgf
MAX. SPEED	2,000 rpm
MOMENT OF INERTIAL	. kgf.m ²
WEIGHT	95 kg

1	BLANK CHUCK	STD.	PHD-380	1SET	-
NO.	TITLE OF ITEM	MATERIAL	SIZE & SPEC.	Q'TY	NOTE
TITLE	OUTSIDE PULL DOWN CHUCK (PHD-380)		PART NAME	ASSEMBLY DRAWING	
DWG. NO.	PHD-380		AGENCY	-	
CODE NO.	-		USER	-	
			DATE	-	
SCALE	1 : 1		Approved	Checked	Designed

