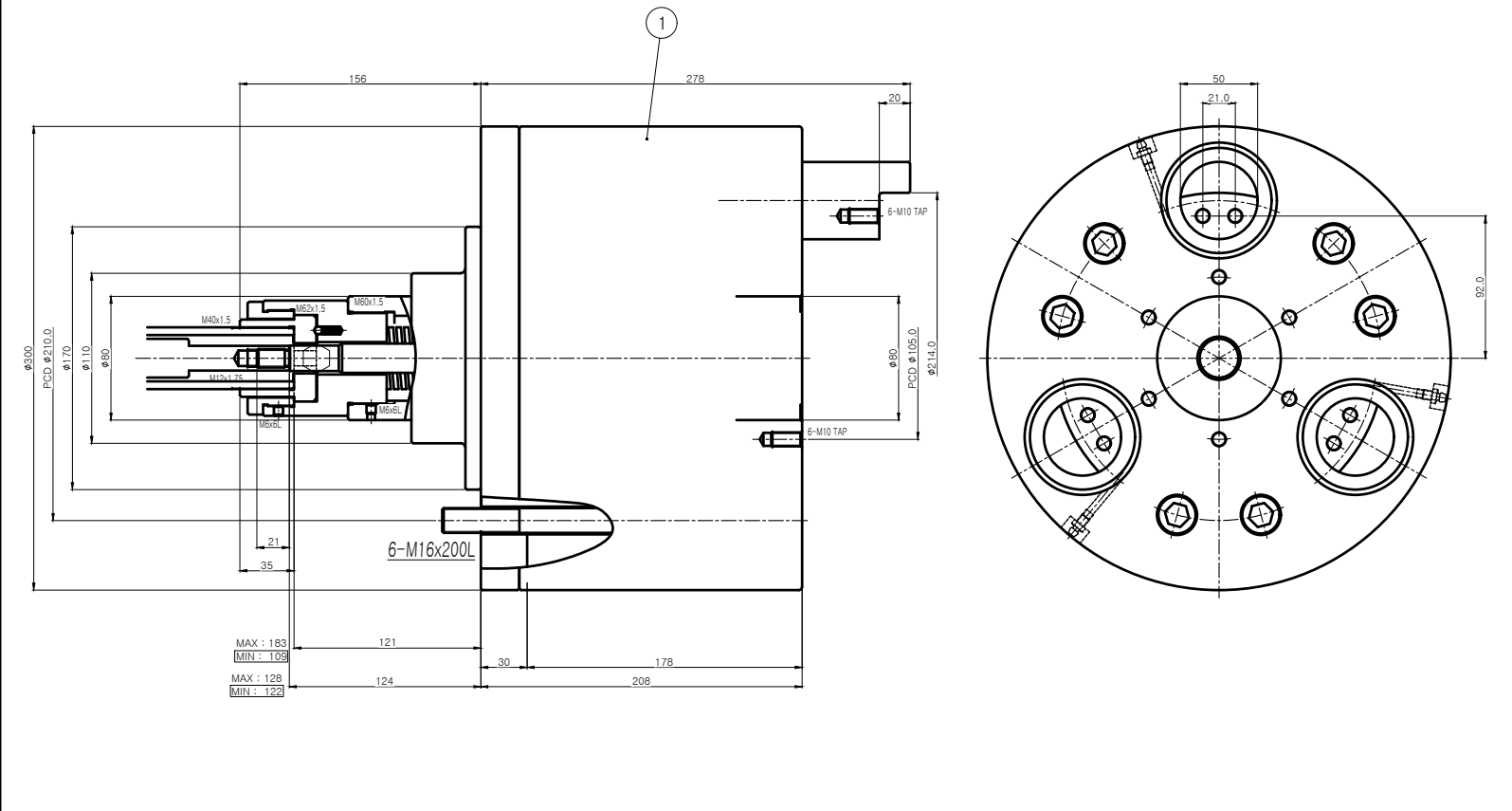


A1

No.	REVISIONS	DATE	DRAWN	APP.
△				
△				



CHUCK SPEC.	
CHUCK SPEC.	RS-300
PLUNGER STROKE	74 mm
JAW STROKE	. mm
MAX. INPUT FORCE	8,150 kgf
CLAMPING FORCE	12,200 kgf
MAX. SPEED	2500 rpm
MOMENT OF INERTIAL	1.35kgf.m ²
WEIGHT	110 kg

NO.	TITLE OF ITEM	MATERIAL	SIZE & SPEC.	QTY	NOTE
1	BLANK CHUCK	STD.	RS-300	1SET	-
TITLE	RETRACTABLE CHUCK (RS-300)	PART NAME	ASSEMBLY DRAWING		
DWG. NO.	RS-300-00	AGENCY	STANDARD		
CODE NO.	-	USER	STANDARD		
SCALE	1:1	DATE	2023. 01. 11.		
SONG G.H. SONG G.H. S.G.H. Approved Checked Designed					