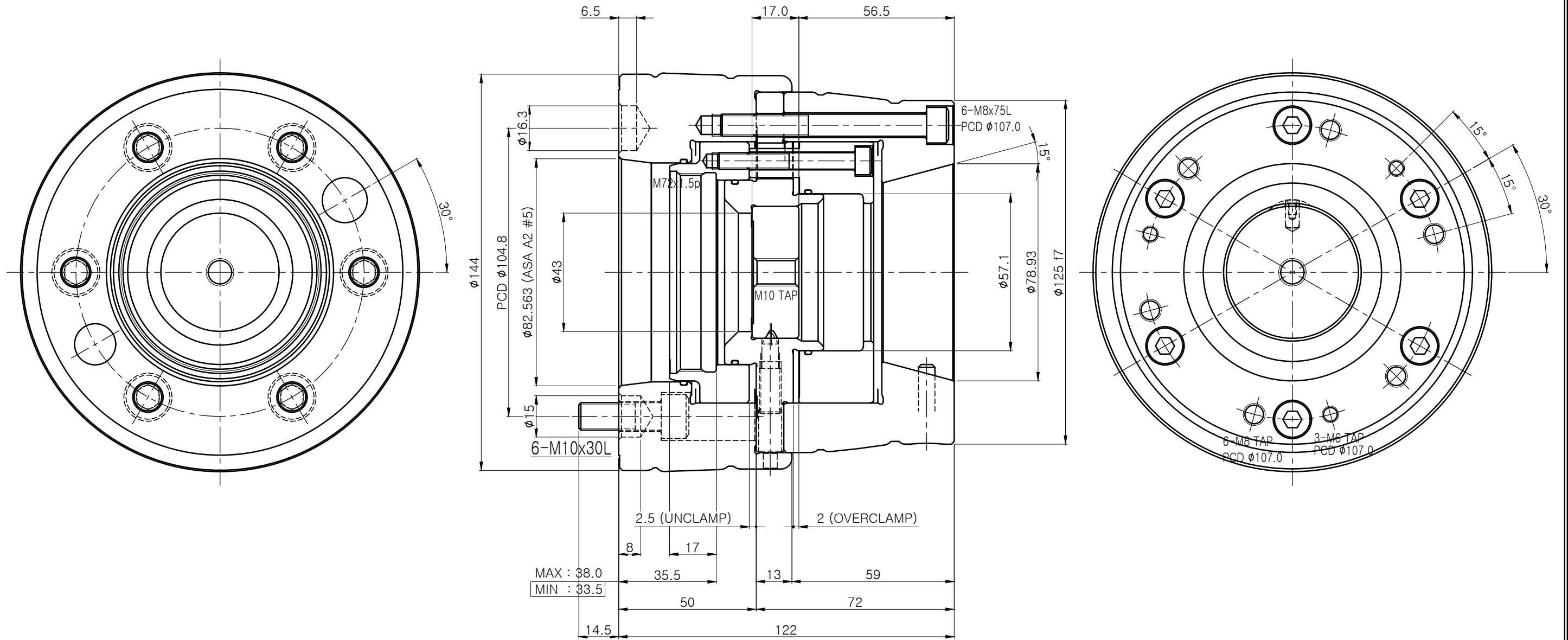


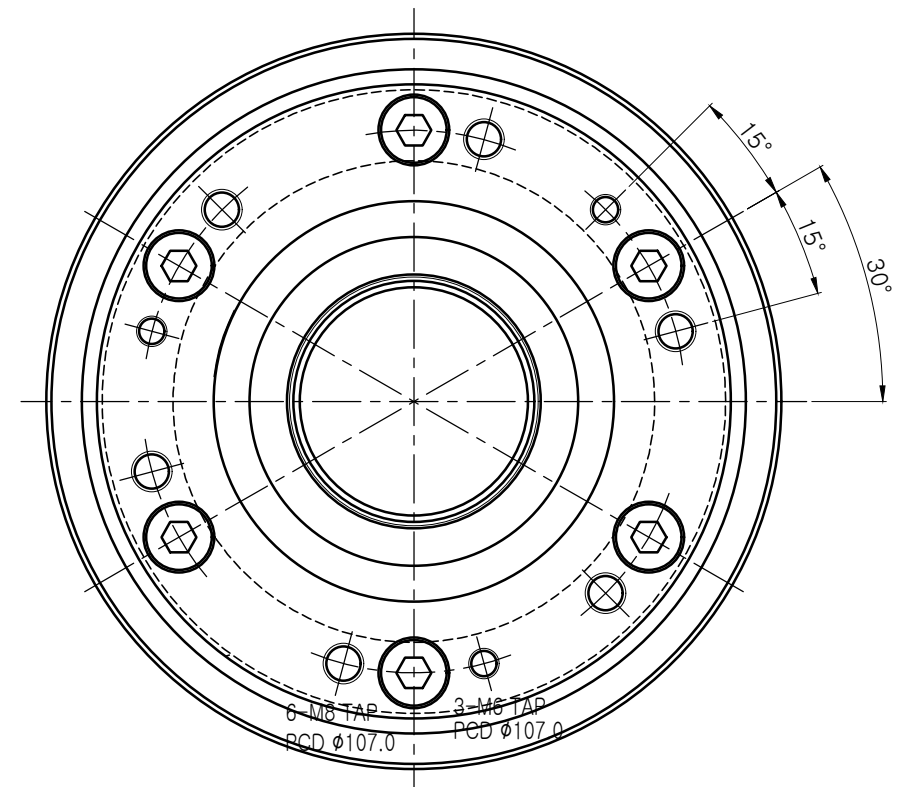
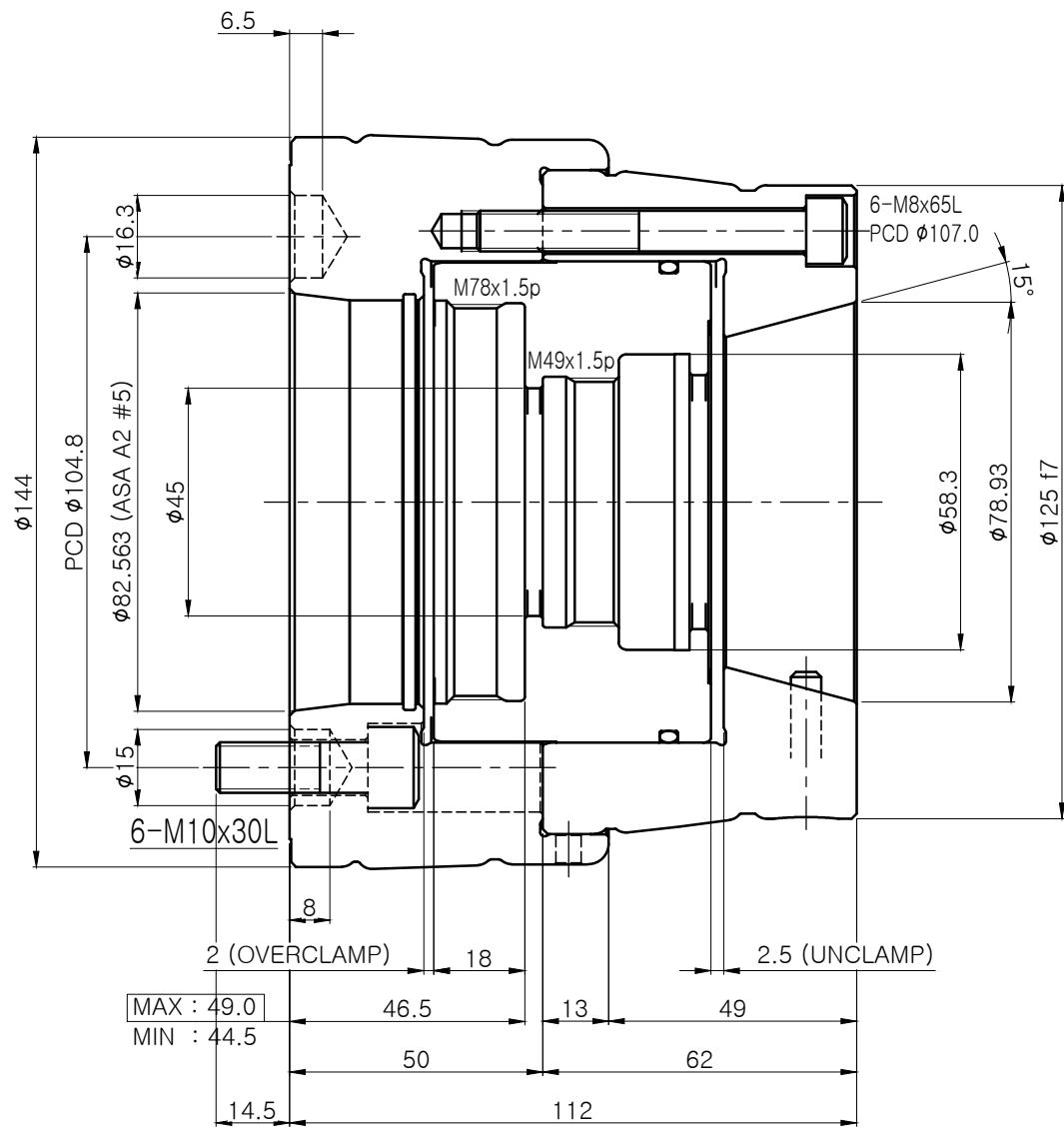
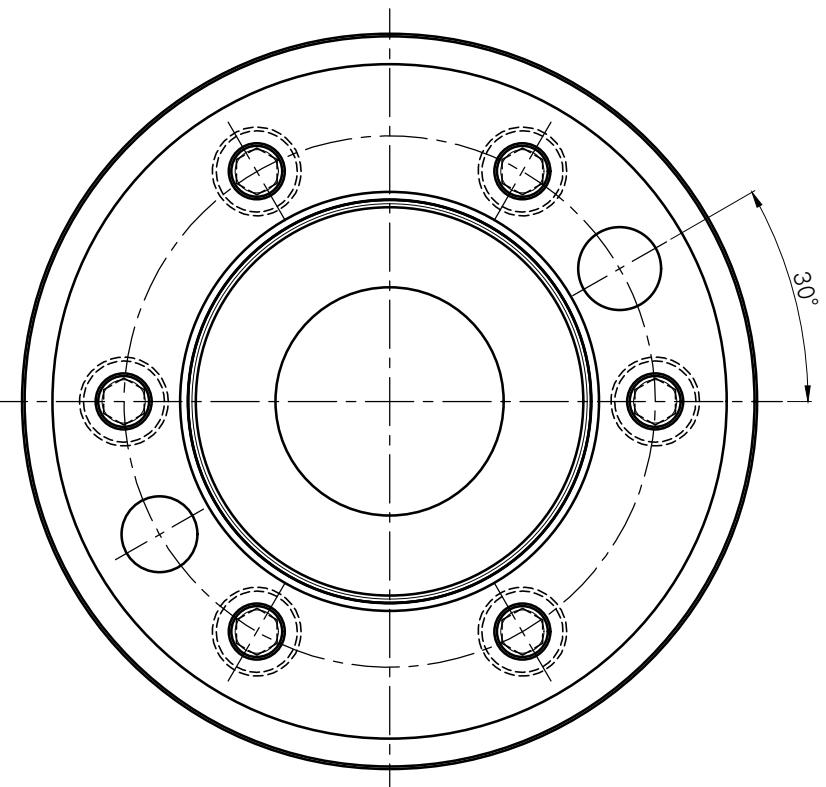
No.	REVISIONS	DATE	DRAWN	APP.
1				
2				



CHUCK SPEC.	
CHUCK SPEC.	CORH-42B5
PLUNGER STROKE	4.5 mm
JAW STROKE	φ1.6 mm
MAX. INPUT FORCE	3,500 kgf
CLAMPING FORCE	8,100 kgf
MAX. SPEED	7,000 rpm
MOMENT OF INERTIAL	. kgf.m ²
WEIGHT	10 kg

NO.	TITLE OF ITEM	MATERIAL	SIZE & SPEC.	QTY	NOTE
	OUTSIDE COLLET CHUCK (CORH-42B5)				
DWG. NO.	CORH-42B5-00		AGENCY		
CODE NO.			USER		
			DATA		
SCALE	1 : 1				
	Approved	Checked			

No.	REVISIONS	DATE	DRAWN	APP.
①				
②				



CHUCK SPEC.	
CHUCK SPEC.	CORH-42M5
PLUNGER STROKE	4.5 mm
JAW STROKE	ϕ 1.6 mm
MAX. INPUT FORCE	3,500 kgf
CLAMPING FORCE	8,100 kgf
MAX. SPEED	7,000 rpm
MOMENT OF INERTIAL	. kgf.m ²
WEIGHT	9 kg

NO.	TITLE OF ITEM	MATERIAL	SIZE & SPEC.	Q'TY	NOTE
	OUTSIDE COLLET CHUCK (CORH-42M5)				
DWG. NO.	CORH-42M5-00		PART NAME	ASSEMBLY DRAWING	
CODE NO.			AGENCY		
			USER		
			DATA		
SCALE	1 : 1		Approved	Checked	Designed

