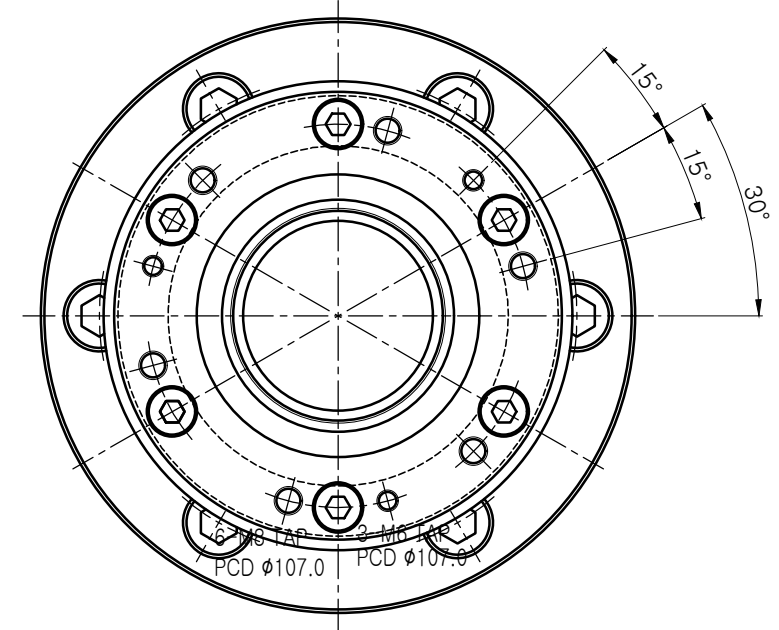
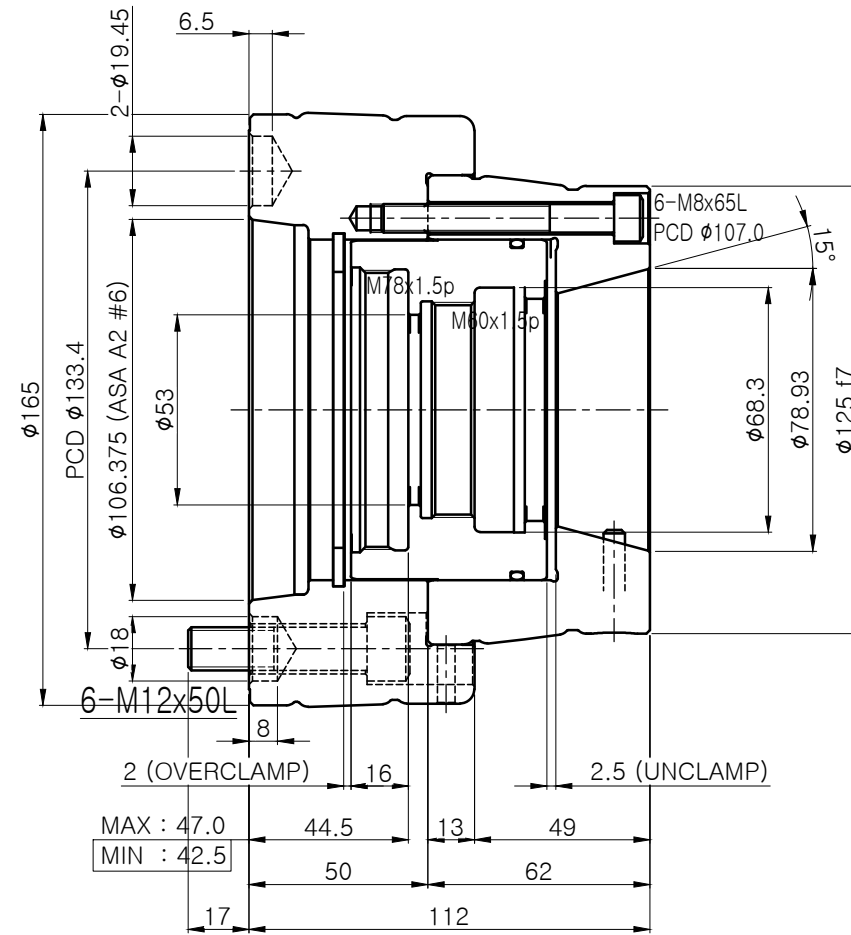
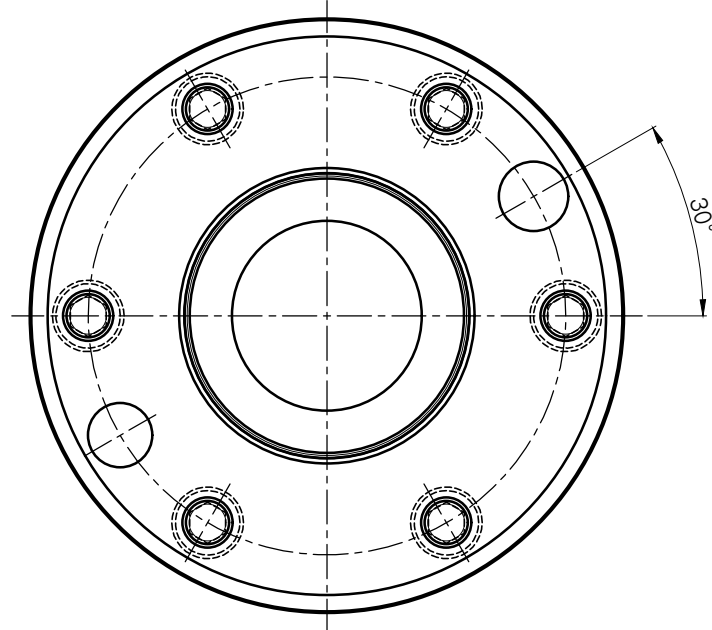
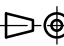



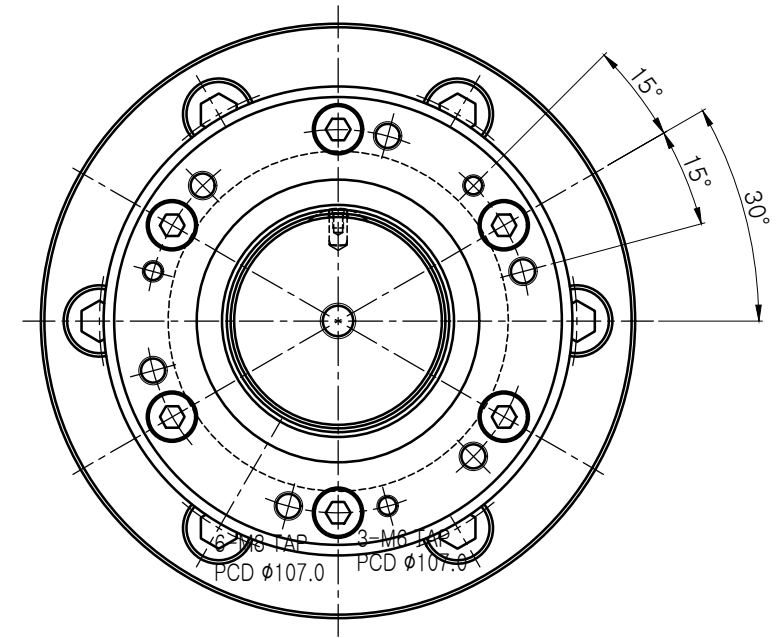
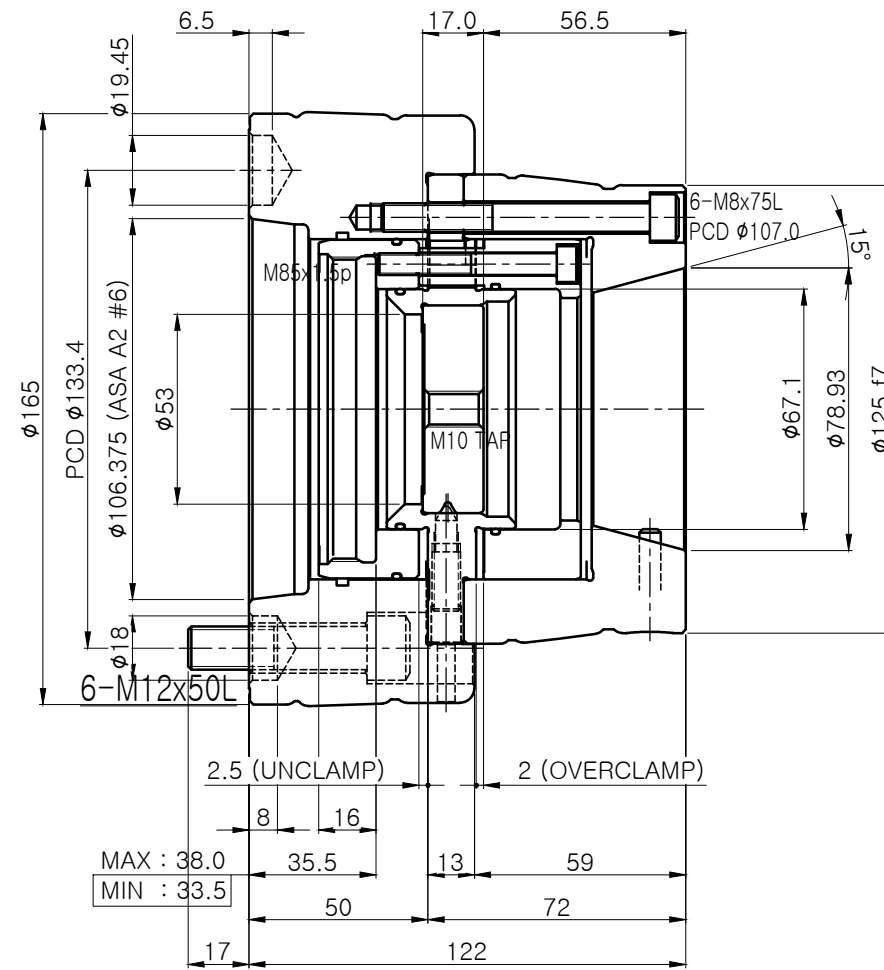
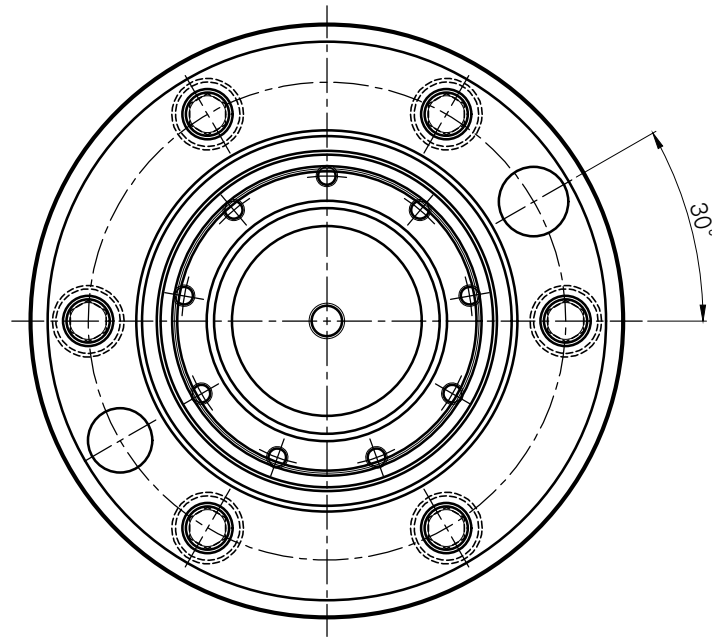
No.	REVISIONS	DATE	DRAWN	APP.
①				
②				



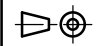
CHUCK SPEC.	
CHUCK SPEC.	CORH-52M6
PLUNGER STROKE	4.5 mm
JAW STROKE	φ1.6 mm
MAX. INPUT FORCE	4,000 kgf
CLAMPING FORCE	9,500 kgf
MAX. SPEED	7,000 rpm
MOMENT OF INERTIAL	. kgf.m²
WEIGHT	11 kg

NO.	TITLE OF ITEM	MATERIAL	SIZE & SPEC.	Q'TY	NOTE
TITLE	OUTSIDE COLLET CHUCK (CORH-52M6)	PART NAME	ASSEMBLY DRAWING		
DWG. NO.	CORH-52M6-00	AGENCY			
CODE NO.		USER			
 SCALE 1 : 1					DATA
	Approved	Checked	Designed		

No.	REVISIONS	DATE	DRAWN	APP.
①				
②				



CHUCK SPEC.	
CHUCK SPEC.	CORH-52B6
PLUNGER STROKE	4.5 mm
JAW STROKE	φ1.6 mm
MAX. INPUT FORCE	4,000 kgf
CLAMPING FORCE	9,500 kgf
MAX. SPEED	7,000 rpm
MOMENT OF INERTIAL	. kgf.m ²
WEIGHT	12 kg

NO.	TITLE OF ITEM	MATERIAL	SIZE & SPEC.	Q'TY	NOTE
TITLE	OUTSIDE COLLET CHUCK (CORH-52B6)	PART NAME	ASSEMBLY DRAWING		
DWG. NO.	CORH-52B6-00	AGENCY			
CODE NO.		USER			
					DATA
SCALE	1 : 1	Approved	Checked	Designed	