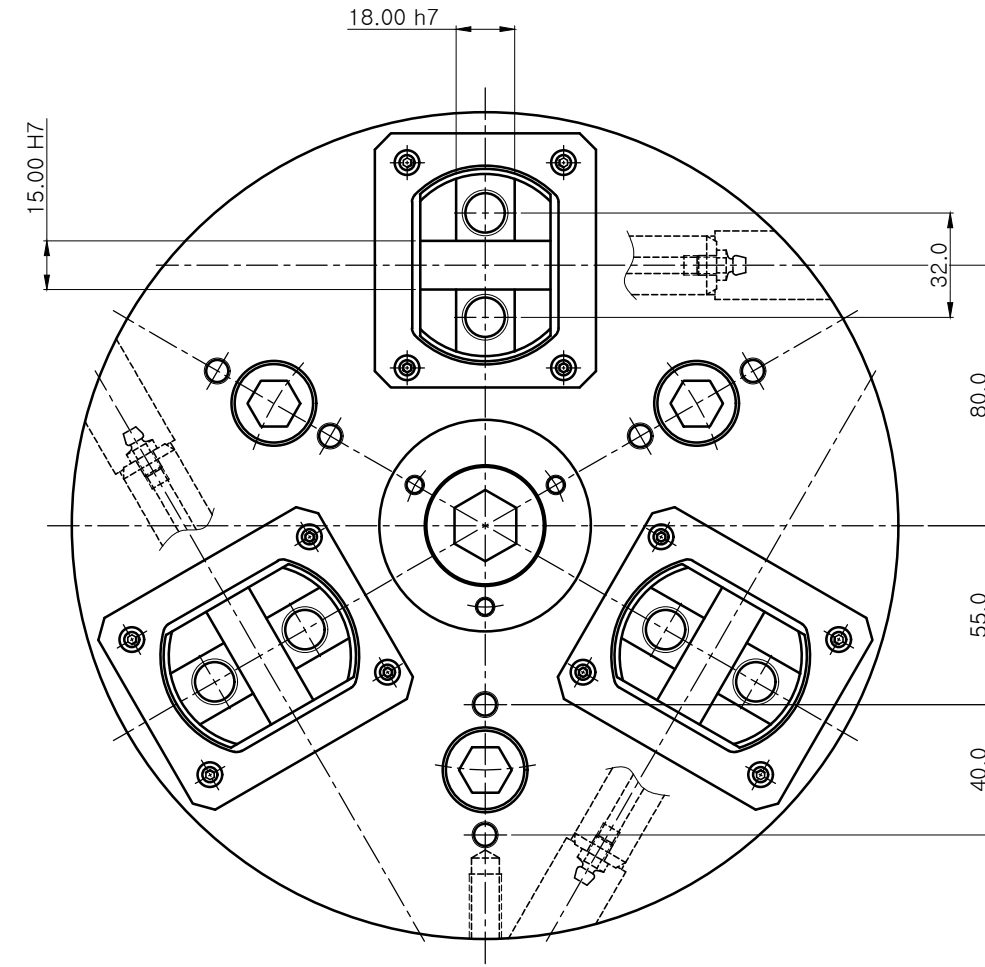
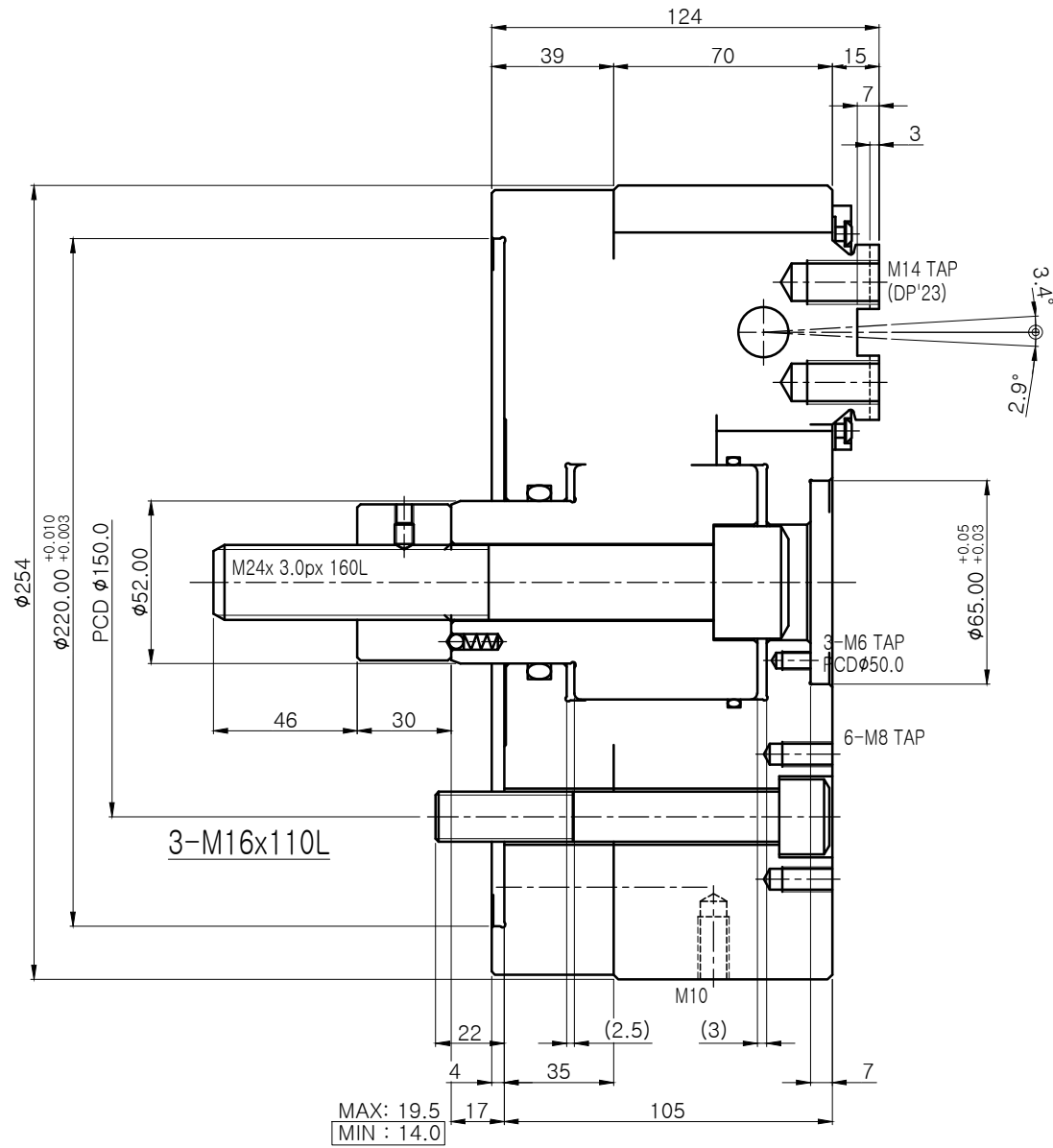


No.	REVISIONS	DATE	DRAWN	APP.
1				
2				



CHUCK SPEC.	
CHUCK SPEC.	LCC-10
PLUNGER STROKE	5.5 mm
JAW STROKE	. mm
MAX. INPUT FORCE	. kgf
CLAMPING FORCE	. kgf
MAX. SPEED	. rpm
MOMENT OF INERTIAL	. kgf.m ²
WEIGHT	. kg

1	BLANK CHUCK	STD.	LCC-10	1SET	
NO.	TITLE OF ITEM	MATERIAL	SIZE & SPEC.	Q'TY	NOTE
TITLE	LCC CHUCK (LCC-10)		PART NAME	ASSEMBLY DRAWING	
DWG. NO.	LCC-10-00		AGENCY	-	
CODE NO.	-		USER	-	
			DATE	2019.06.11.	
SCALE	1:1	Approved	Checked	Designed	