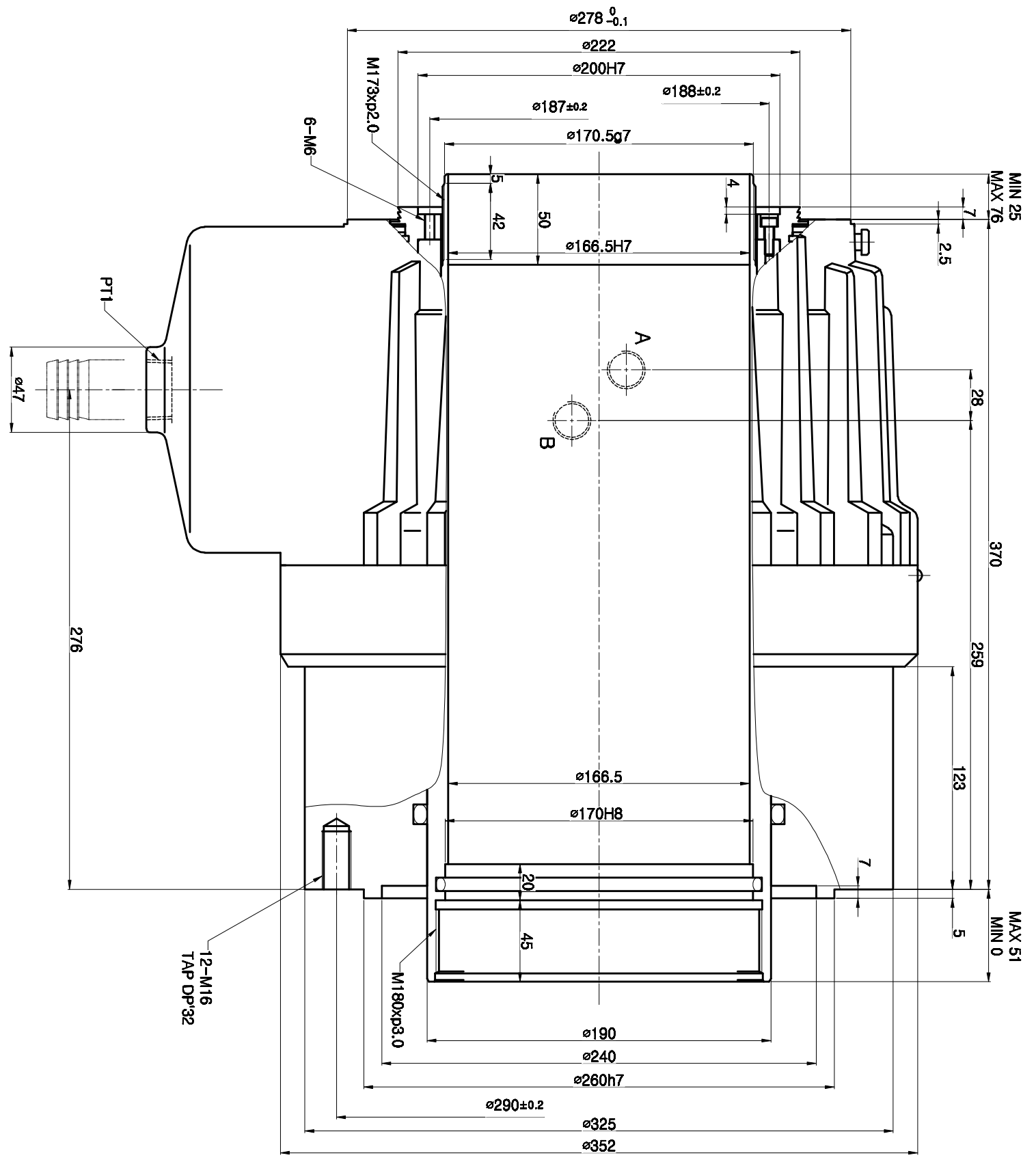


SPECIFICATION		UNIT	
MAXIMUM PRESSURE	100	BAR	
MAXIMUM FLOW RATE	1000	L/MIN	
MAXIMUM TEMPERATURE	50	°C	
MAXIMUM WEIGHT	1000	KG	
MAXIMUM LENGTH	1000	MM	
MAXIMUM DIAMETER	250	MM	
MAXIMUM THICKNESS	10	MM	
MAXIMUM SURFACE AREA	10000	CM ²	

SPECIFICATION		UNIT	
MAXIMUM PRESSURE	100	BAR	
MAXIMUM FLOW RATE	1000	L/MIN	
MAXIMUM TEMPERATURE	50	°C	
MAXIMUM WEIGHT	1000	KG	
MAXIMUM LENGTH	1000	MM	
MAXIMUM DIAMETER	250	MM	
MAXIMUM THICKNESS	10	MM	
MAXIMUM SURFACE AREA	10000	CM ²	



SPECIFICATION		UNIT	
MAXIMUM PRESSURE	100	BAR	
MAXIMUM FLOW RATE	1000	L/MIN	
MAXIMUM TEMPERATURE	50	°C	
MAXIMUM WEIGHT	1000	KG	
MAXIMUM LENGTH	1000	MM	
MAXIMUM DIAMETER	250	MM	
MAXIMUM THICKNESS	10	MM	
MAXIMUM SURFACE AREA	10000	CM ²	