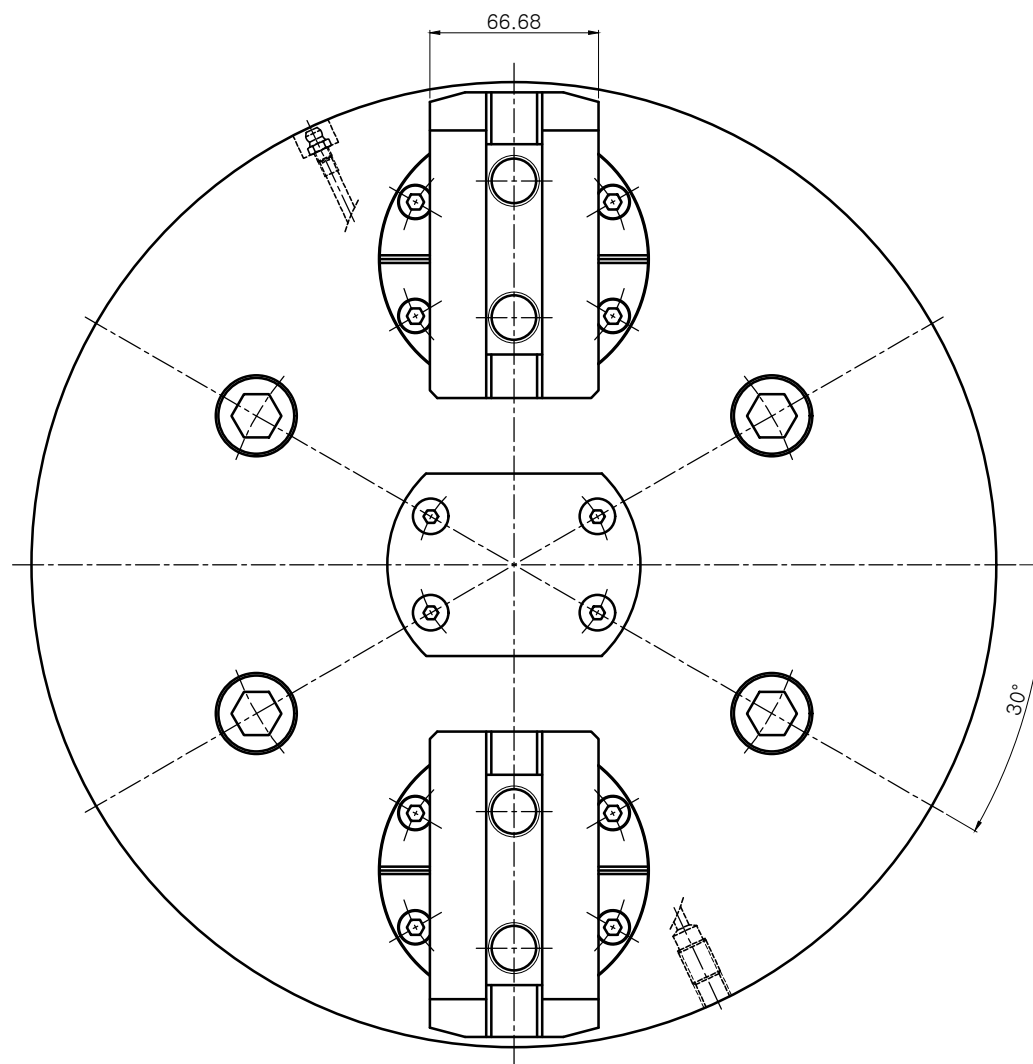
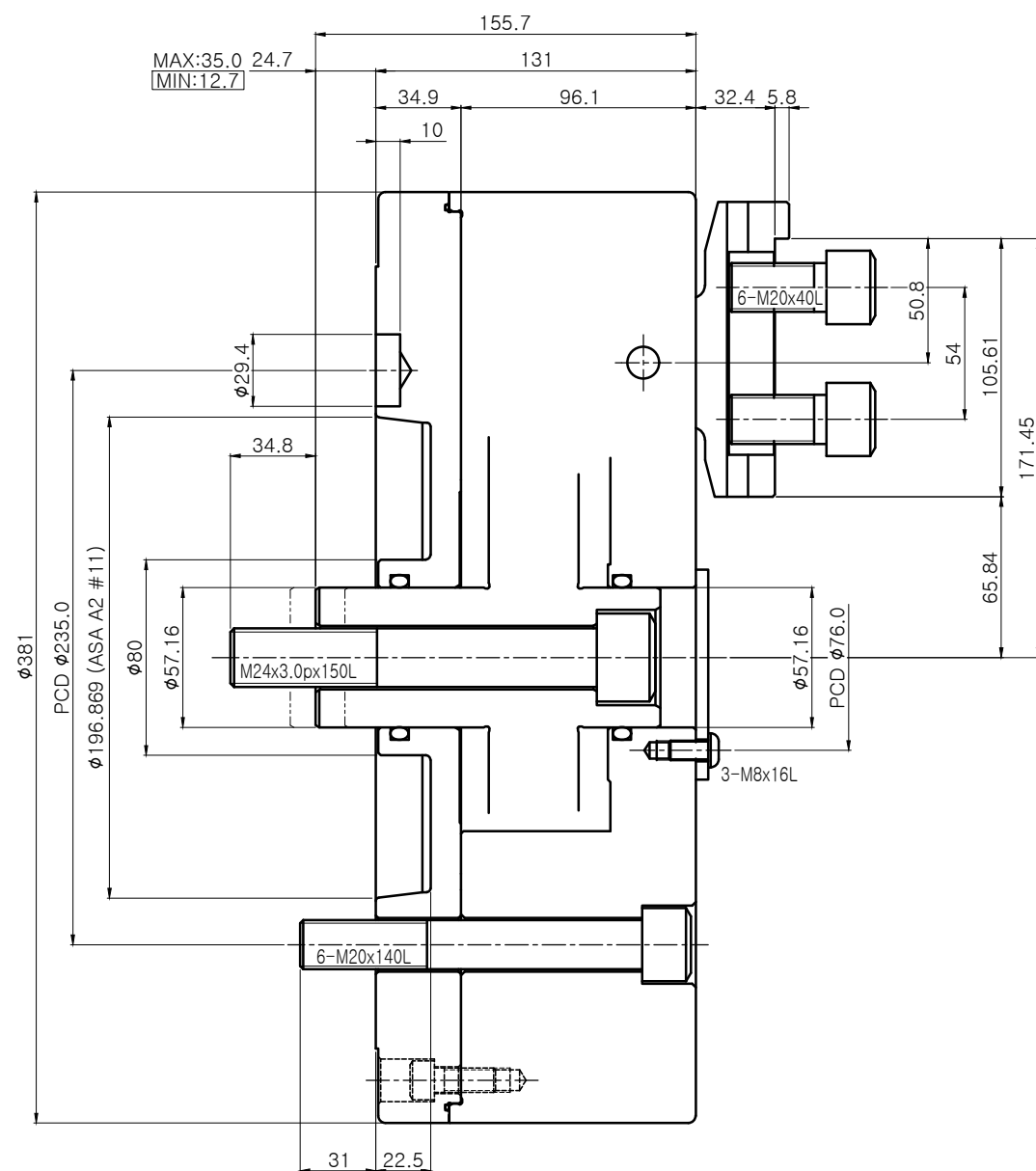


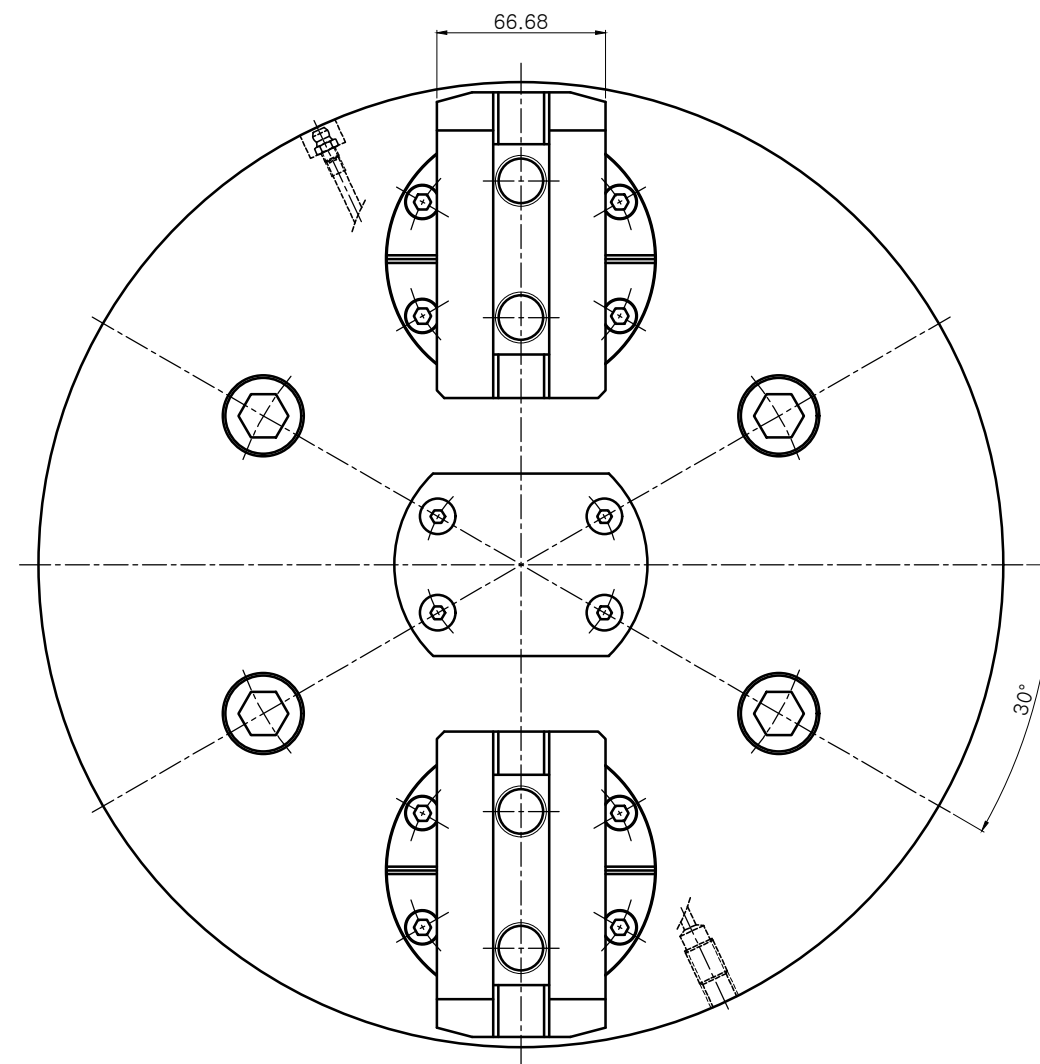
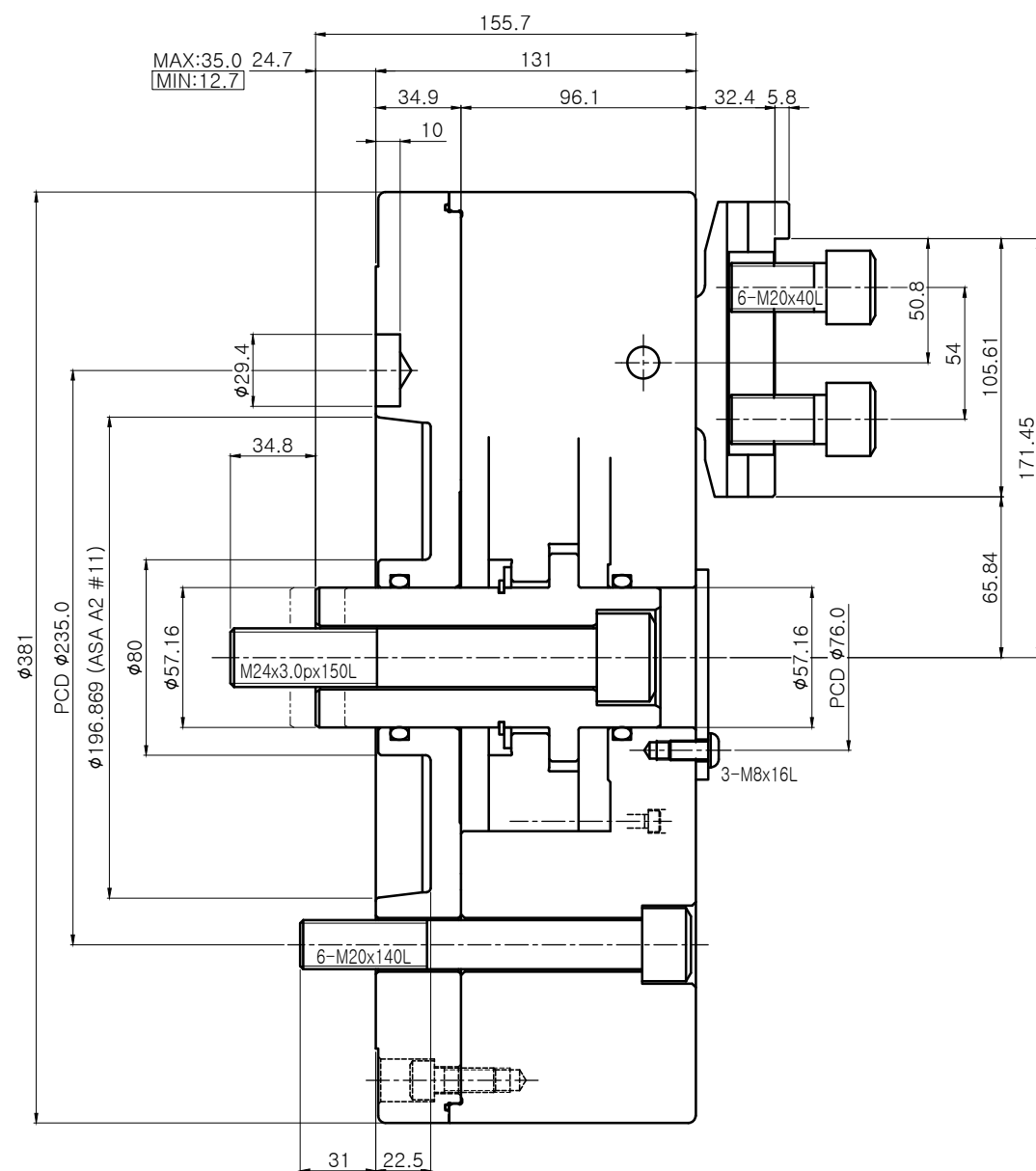
No.	REVISIONS	DATE	DRAWN	APP.
△				
△				



CHUCK SPEC.	
CHUCK SPEC.	PBL-15-2CT
PLUNGER STROKE	22.3 mm
JAW STROKE	15.8 mm
MAX. INPUT FORCE	3,670 kgf
CLAMPING FORCE	11,000 kgf
MAX. SPEED	1,800 rpm
MOMENT OF INERTIAL	8.49kgf.m ²
WEIGHT	84.5 kg

1	BLANK CHUCK	STD.	PBL-15-2CT	1SET	A2 #11
NO.	TITLE OF ITEM	MATERIAL	SIZE & SPEC.	Q'TY	NOTE
TITLE	PBL CHUCK (PBL-15-2CT)		PART NAME	ASSEMBLY DRAWING	
DWG. NO.	P152C111		AGENCY	-	
CODE NO.	-		USER	-	
			DATE	-	
SCALE	1 : 1	Approved	Checked	Designed	

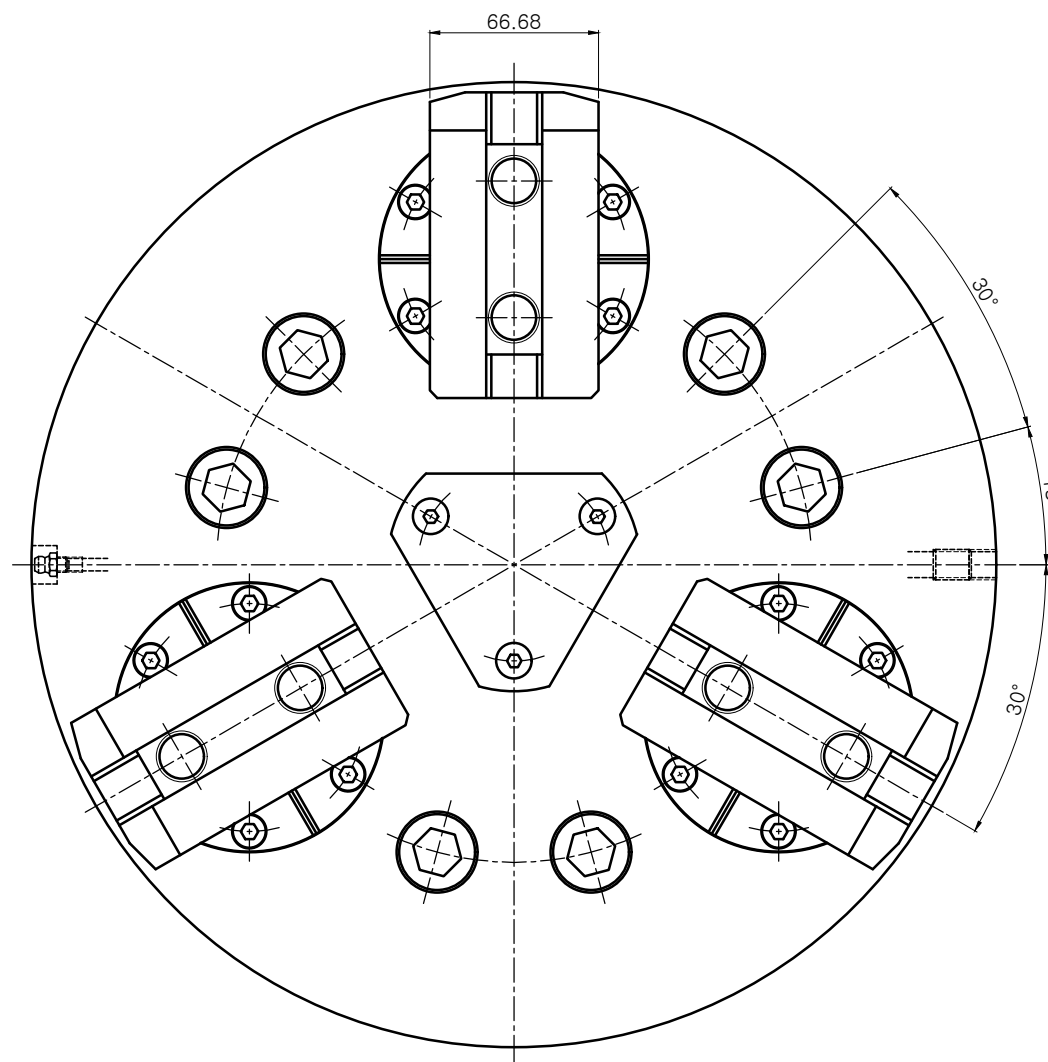
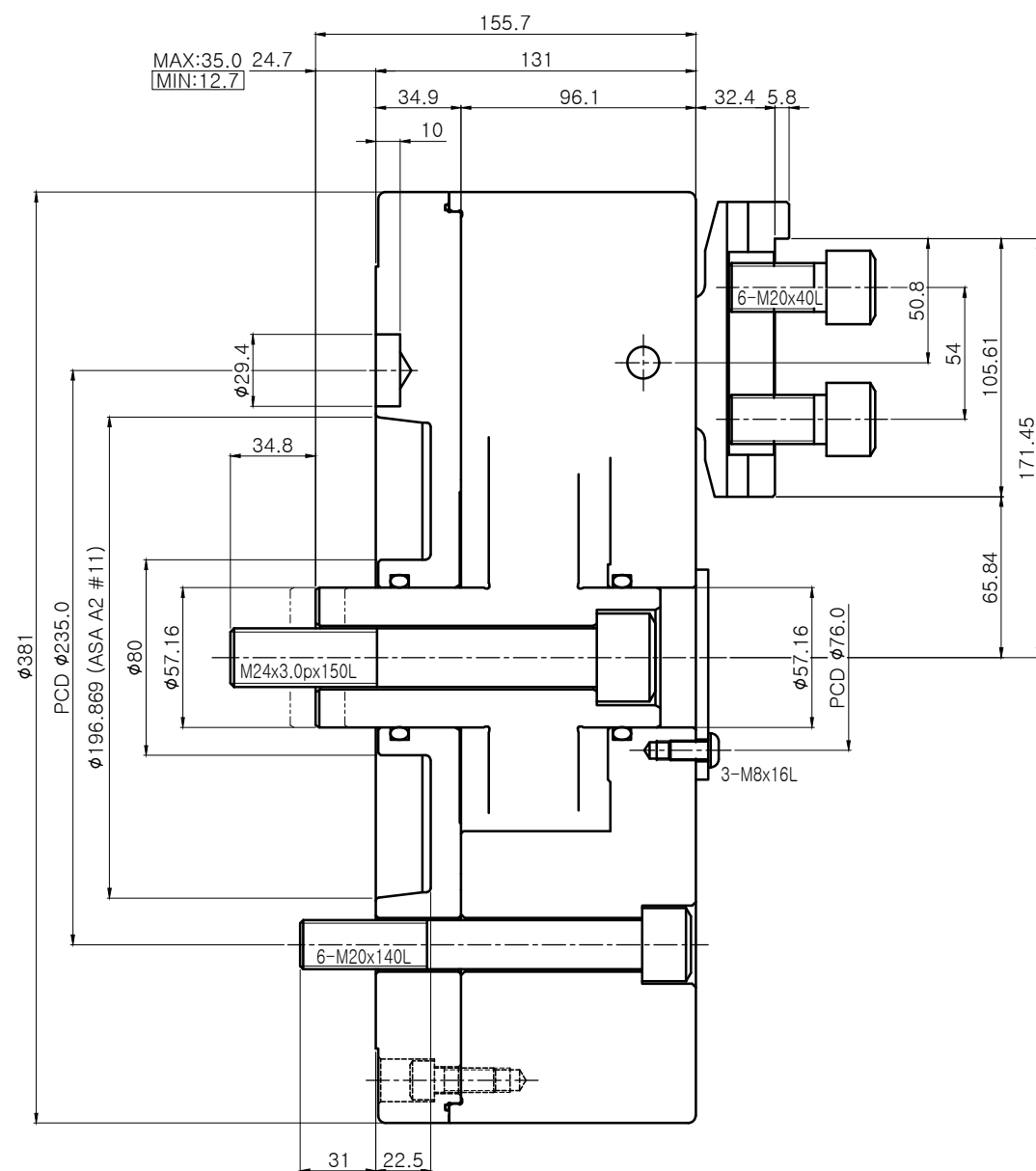
No.	REVISIONS	DATE	DRAWN	APP.
△				
△				



CHUCK SPEC.	
CHUCK SPEC.	PBL-15-2CP
PLUNGER STROKE	22.3 mm
JAW STROKE	15.8 mm
MAX. INPUT FORCE	3,670 kgf
CLAMPING FORCE	11,000 kgf
MAX. SPEED	1,800 rpm
MOMENT OF INERTIAL	8.49kgf.m ²
WEIGHT	84.5 kg

1	BLANK CHUCK	STD.	PBL-15-2CP	1SET	A2 #11
NO.	TITLE OF ITEM	MATERIAL	SIZE & SPEC.	QTY	NOTE
TITLE	PBL CHUCK (PBL-15-2CP)		PART NAME	ASSEMBLY DRAWING	
DWG. NO.	P152P111		AGENCY	-	
CODE NO.	-		USER	-	
SCALE	1 : 1		DATE	-	
Approved	Checked	Designed			

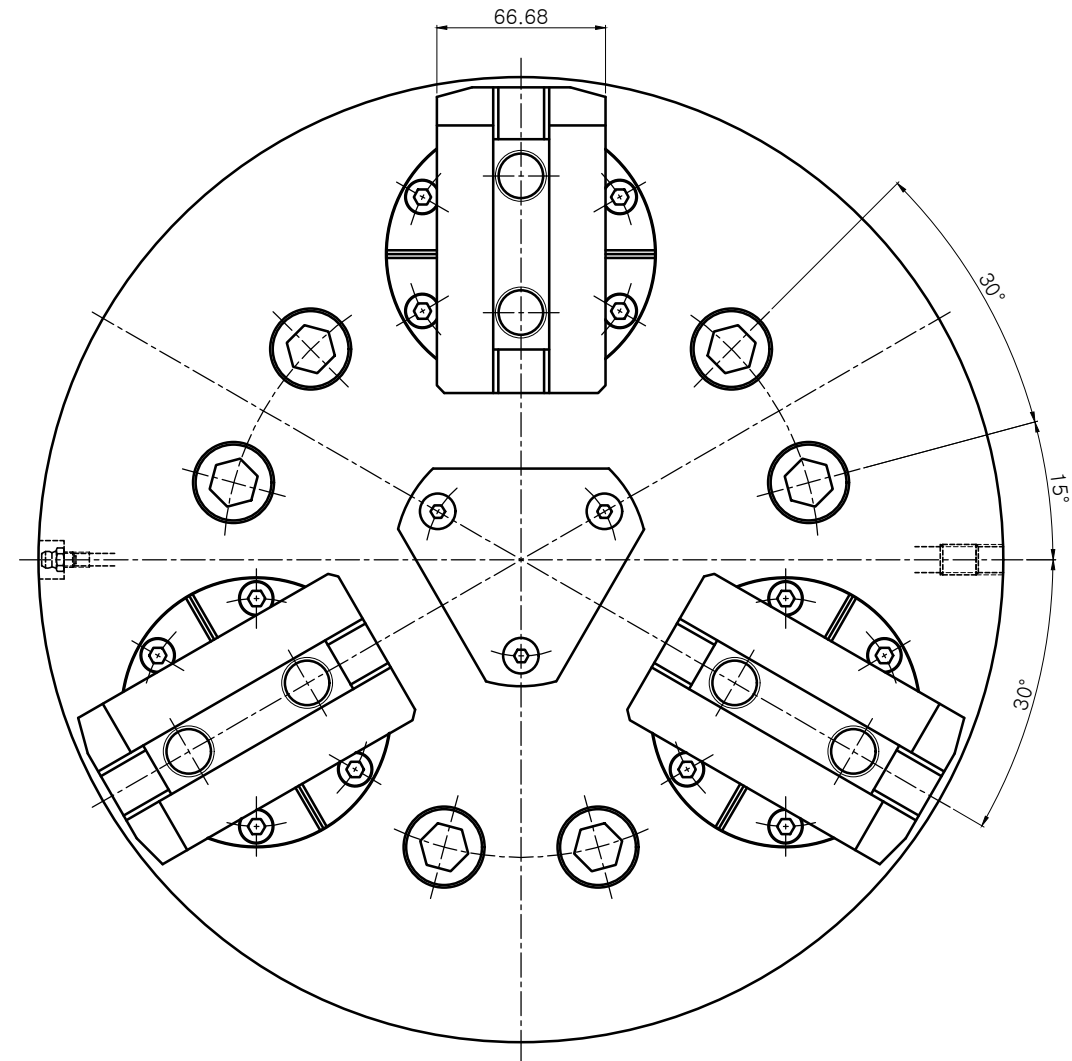
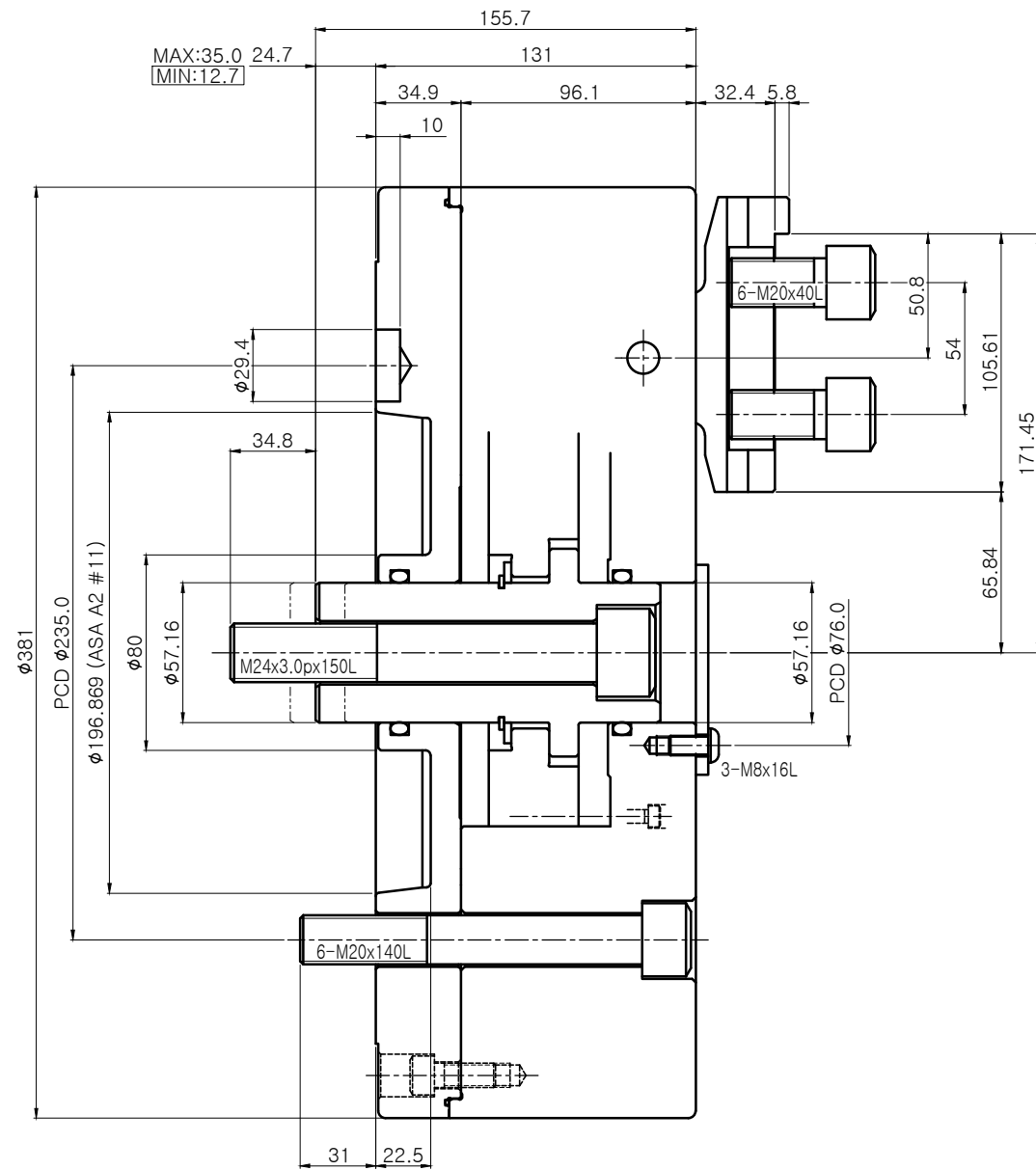
No.	REVISIONS	DATE	DRAWN	APP.
△				
△				



CHUCK SPEC.	
CHUCK SPEC.	PBL-15-3CT
PLUNGER STROKE	22.3 mm
JAW STROKE	15.8 mm
MAX. INPUT FORCE	5,500 kgf
CLAMPING FORCE	16,500 kgf
MAX. SPEED	1,800 rpm
MOMENT OF INERTIAL	8.49kgf.m ²
WEIGHT	84.5 kg

NO.	TITLE OF ITEM	MATERIAL	SIZE & SPEC.	Q'TY	NOTE
1	BLANK CHUCK	STD.	PBL-15-3CT	1SET	A2 #11
TITLE	PBL CHUCK (PBL-15-3CT)		PART NAME	ASSEMBLY DRAWING	
DWG. NO.	P153C111		AGENCY	-	
CODE NO.	-		USER	-	
SCALE	1 : 1		DATE	-	
	Approved	Checked	Designed		

No.	REVISIONS	DATE	DRAWN	APP.
△				
△				



CHUCK SPEC.	
CHUCK SPEC.	PBL-15-3CP
PLUNGER STROKE	22.3 mm
JAW STROKE	15.8 mm
MAX. INPUT FORCE	5,500 kgf
CLAMPING FORCE	16,500 kgf
MAX. SPEED	1,800 rpm
MOMENT OF INERTIAL	8.49kgf.m ²
WEIGHT	84.5 kg

1	BLANK CHUCK	STD.	PBL-15-3CP	1SET	A2 #11
NO.	TITLE OF ITEM	MATERIAL	SIZE & SPEC.	QTY	NOTE
	PBL CHUCK (PBL-15-3CP)				ASSEMBLY DRAWING
DWG. NO.	P153P111	AGENCY		-	
CODE NO.	-	USER		-	
		DATE		-	
SCALE	1 : 1	Approved	Checked	Designed	