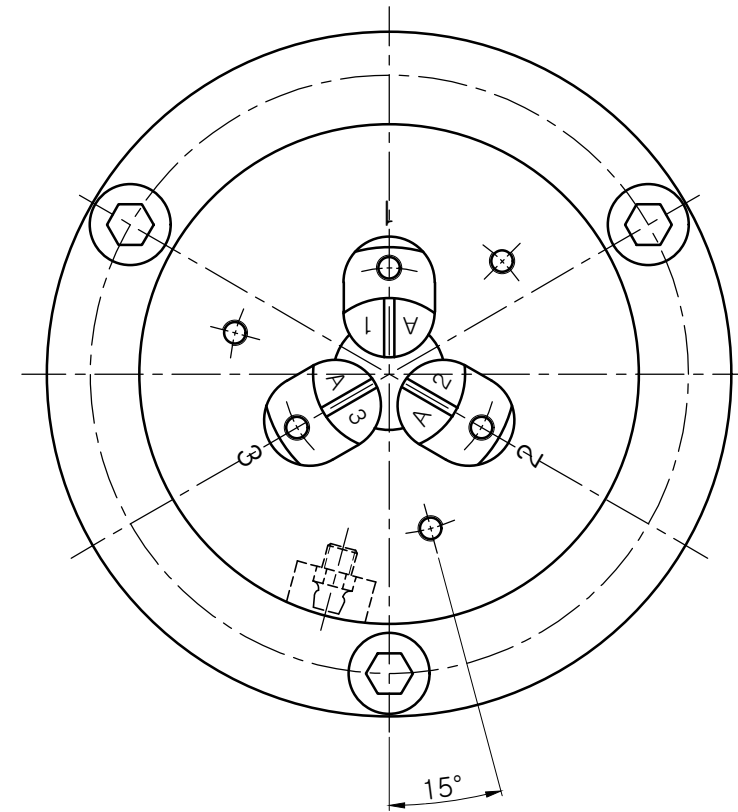
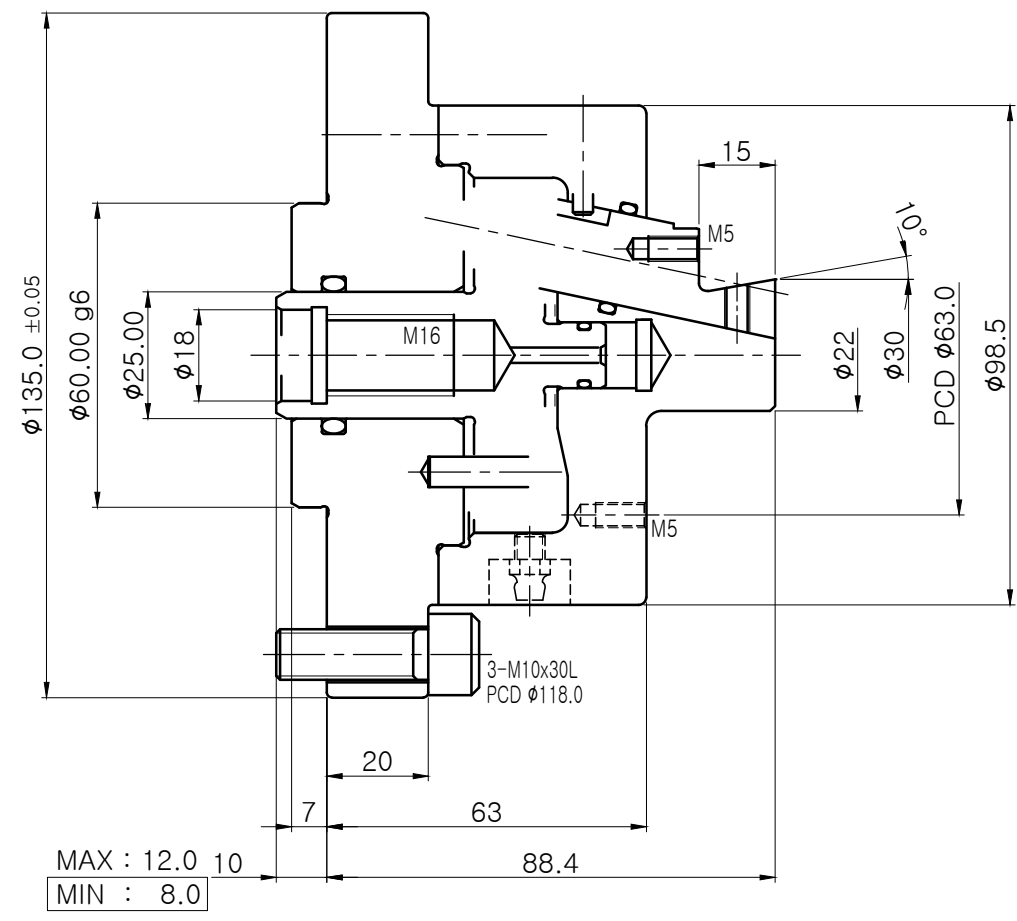


No.	REVISIONS	DATE	DRAWN	APP.
1				
2				



CHUCK SPEC.	
CHUCK SPEC.	PIL-35
PLUNGER STROKE	4.0 mm
JAW STROKE	$\phi 1.7$ mm
MAX. INPUT FORCE	1,800 kgf
CLAMPING FORCE	3,380 kgf
MAX. SPEED	4,500 rpm
MOMENT OF INERTIAL	0.026kgf.m ²
WEIGHT	4.3 kg

01	BLANK CHUCK	STD.	PIL-35	1SET	-
NO.	TITLE OF ITEM	MATERIAL	SIZE & SPEC.	Q'TY	NOTE
TITLE	PIN ARBOR CHUCK (PIL-35)		PART NAME	ASSEMBLY DRAWING	
DWG. NO.	PIL-35		AGENCY	-	
CODE NO.	-		USER	-	
			DATE	-	
SCALE	1 : 1	Approved	Checked	Designed	

