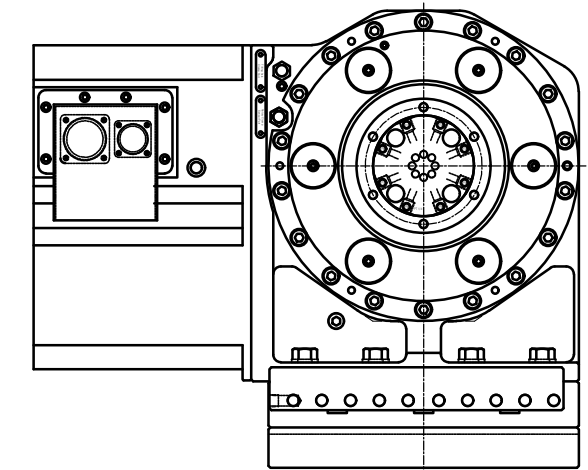
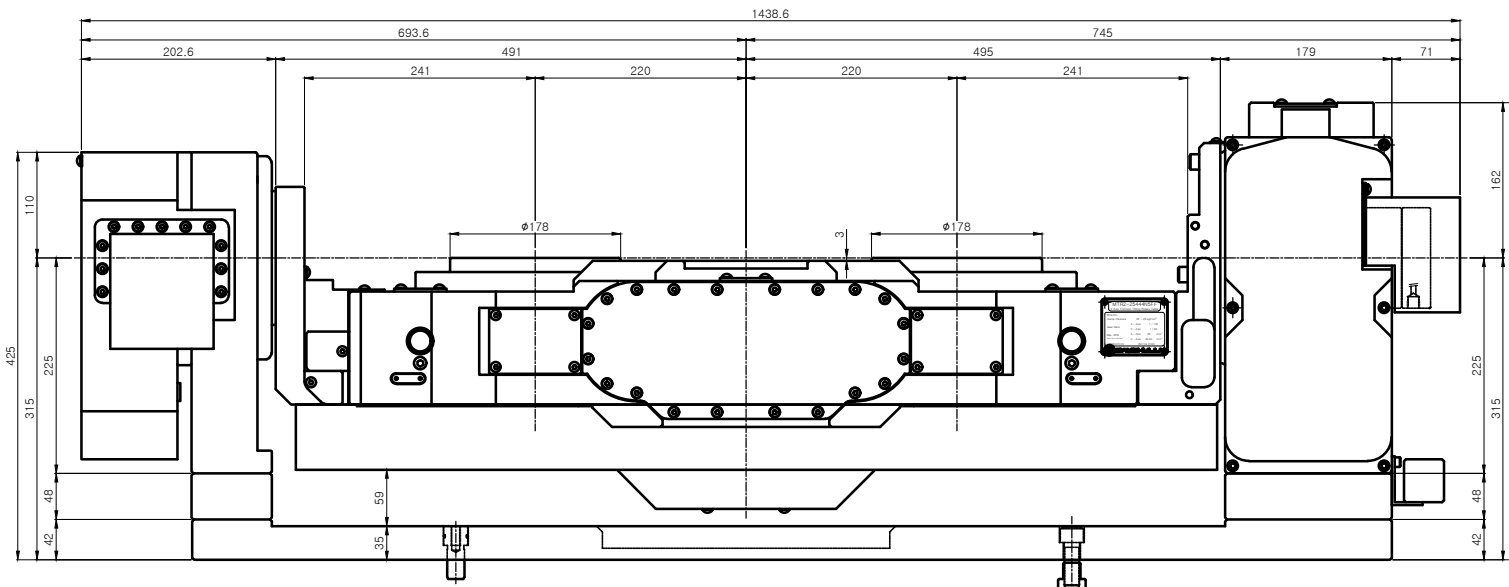
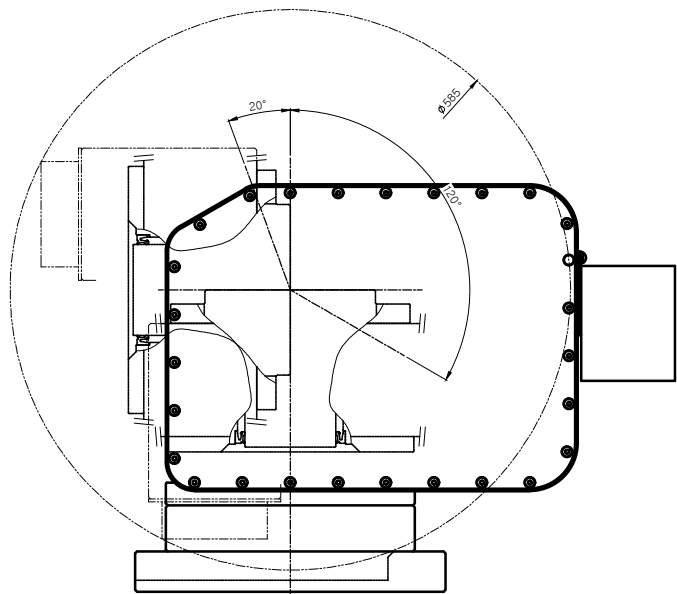
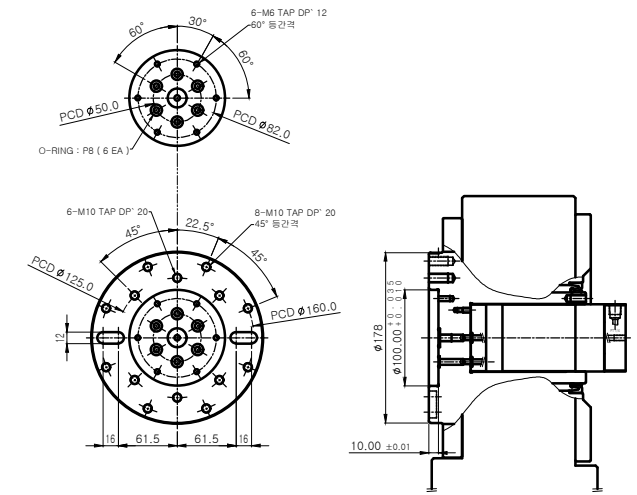
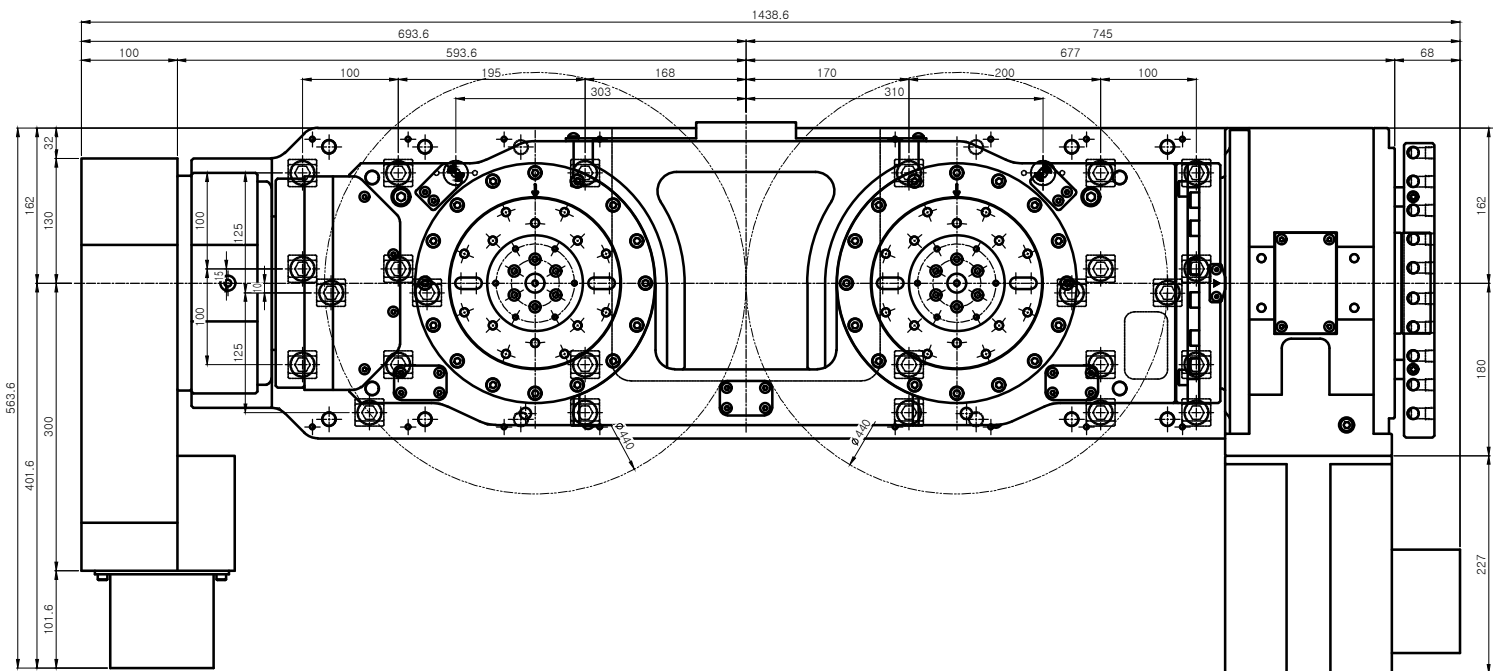


[ MTR2-25444N5FF Specifications ]			
A축 사양 (경사)		C축 사양 (회전)	
Tilting Angle	-20° ~ +120°	Rotating Angle	360°
Clamp Force	2600 N.m	CLAMP FORCE	1600 N.m
Clamp Pressure	25 ~ 35 kgf/cm <sup>2</sup>	Clamp Pressure	25 ~ 35 kgf/cm <sup>2</sup>
Gear Ratio	1 / 120	Gear Ratio	1 / 90
Max. RPM	25 ( Motor 3000 min <sup>-1</sup> )	Max. RPM	33.3 ( Motor 3000 min <sup>-1</sup> )
Servo Motor	ai F8 / 3000	Servo Motor	ai F8 / 3000
Work Weight ( kgf )		Left Axis : 60	Right Axis : 60
Weight : 500 kgf ( 유압 배관 제외 )			



기호	변경내역	날짜	수정	승인

TITLE	Nc Rotary Table	설계	조영도
DRG NO.	MTR2-25444N5FF-500-00	USER	-
CODE NO.	-	개발팀	Research & Development
SCALE	1 : 1	DATE	2020. 06. 29

