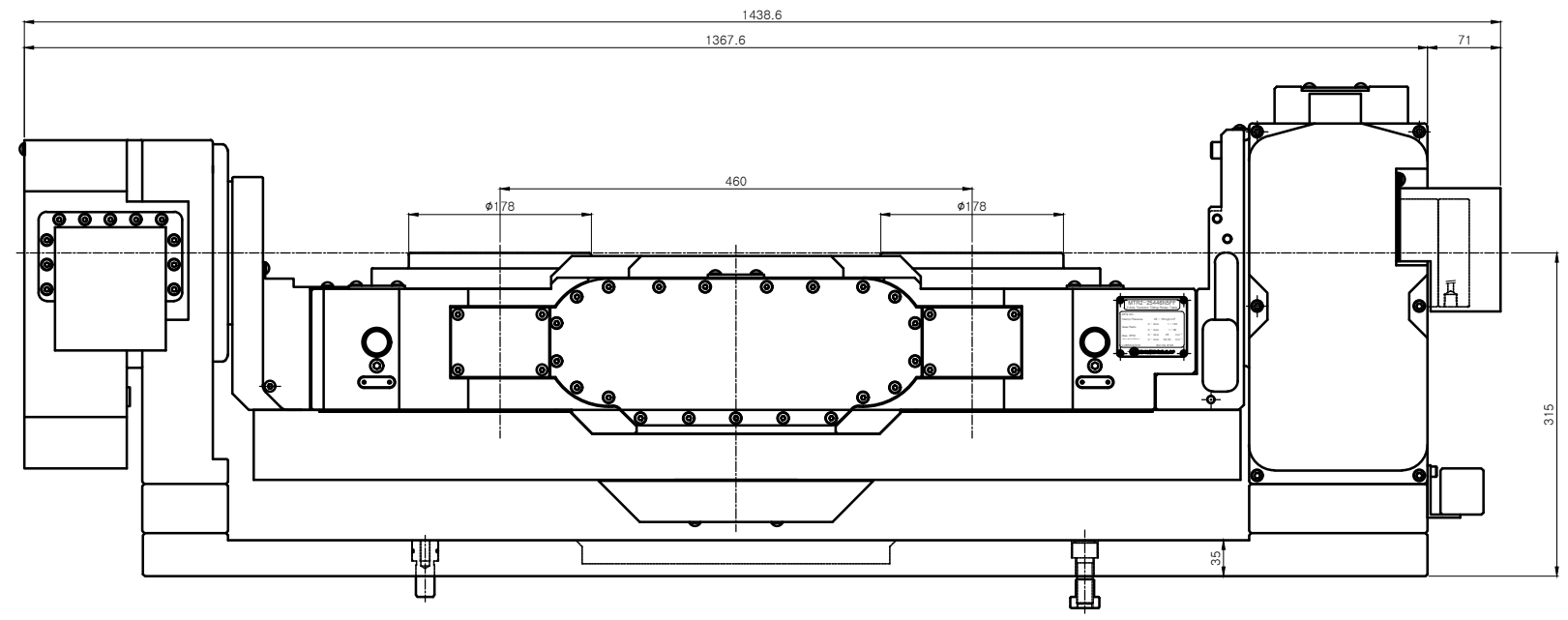
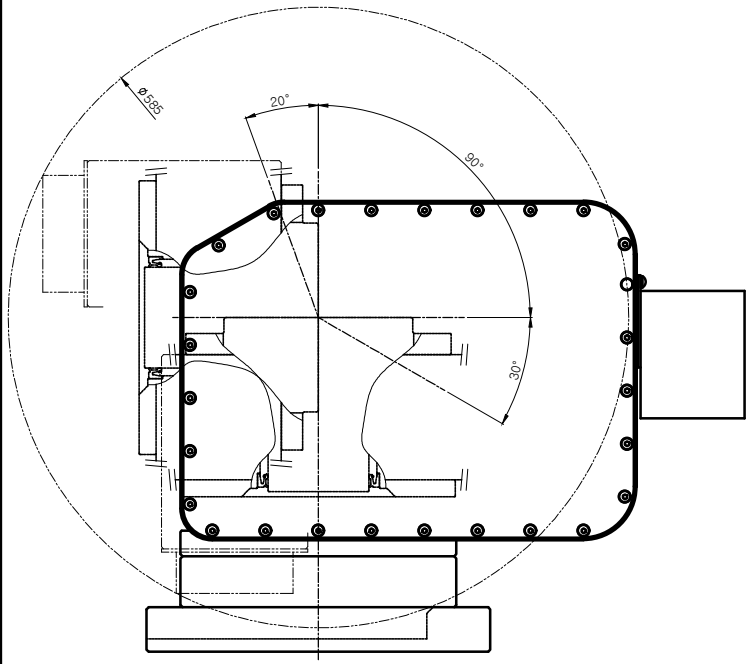
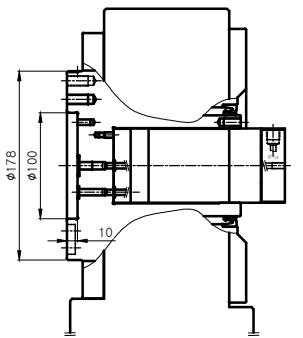
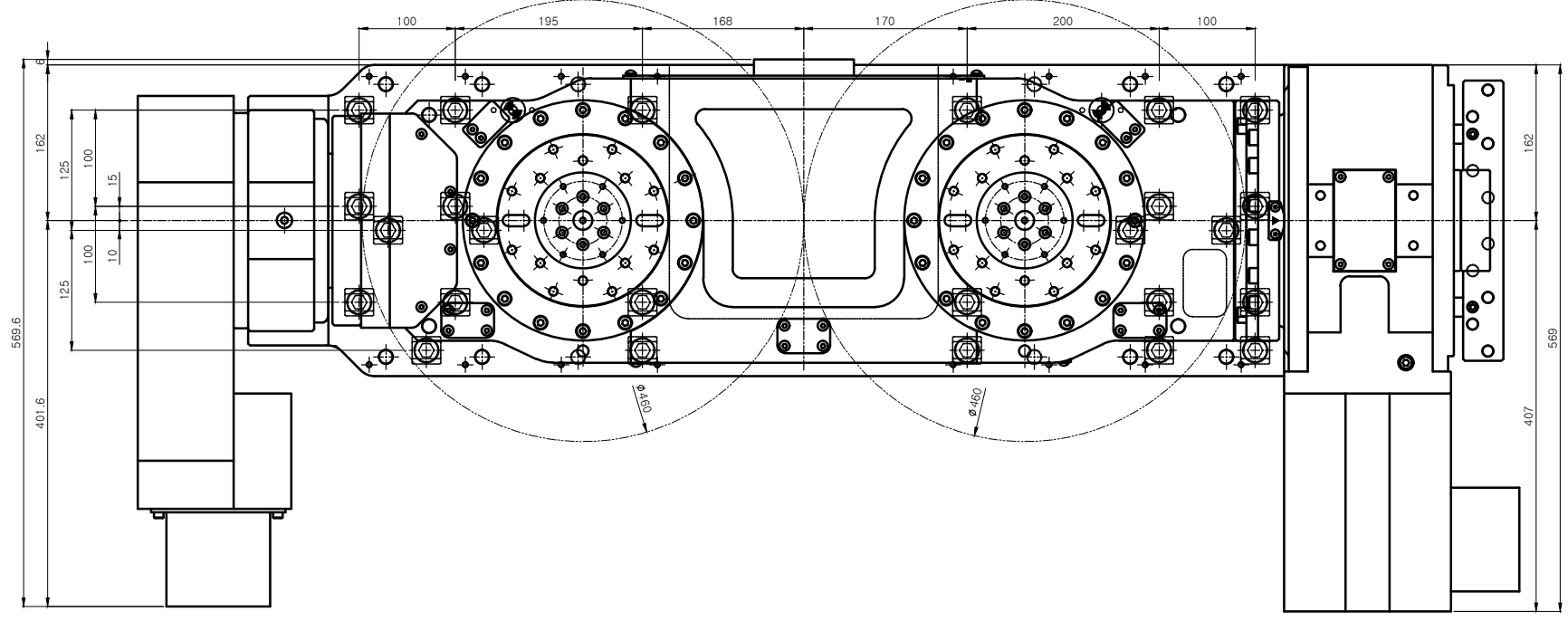


기호	용어	비고	수정	일
△	용어			

[MTR2-25446N5FF Specifications]			
A축 사양 (경사)		C축 사양 (회전)	
Tilting Angle	-20° ~ +120°	Rotating Angle	360°
Clamp Force	2600 N.m	CLAMP FORCE	1600 N.m
Clamp Pressure	25 ~ 35 kgf/cm ²	Clamp Pressure	25 ~ 35 kgf/cm ²
Gear Ratio	1 / 120	Gear Ratio	1 / 90
Max. RPM	25 (Motor 3000 min ⁻¹)	Max. RPM	33.3 (Motor 3000 min ⁻¹)
Servo Motor	ai F8 / 3000	Servo Motor	ai F8 / 3000
Work Weight (kgf)		Left Axis : 60	
		Right Axis : 60	
Weight : 500 kgf (유압 배관 제외)			



Weight 500 kgf [with Rotary Joint]

TITLE	NC ROTARY TABLE	PART NAME	외 형 도
DRG NO.	MTR2-25446N5FF-V1.0-00	USER	-
CODE NO.	-	DEPARTMENT	Research & Development
SCALE	1 : 1	DATA	2016. 09. 10
	Approved	Checked	Designed

