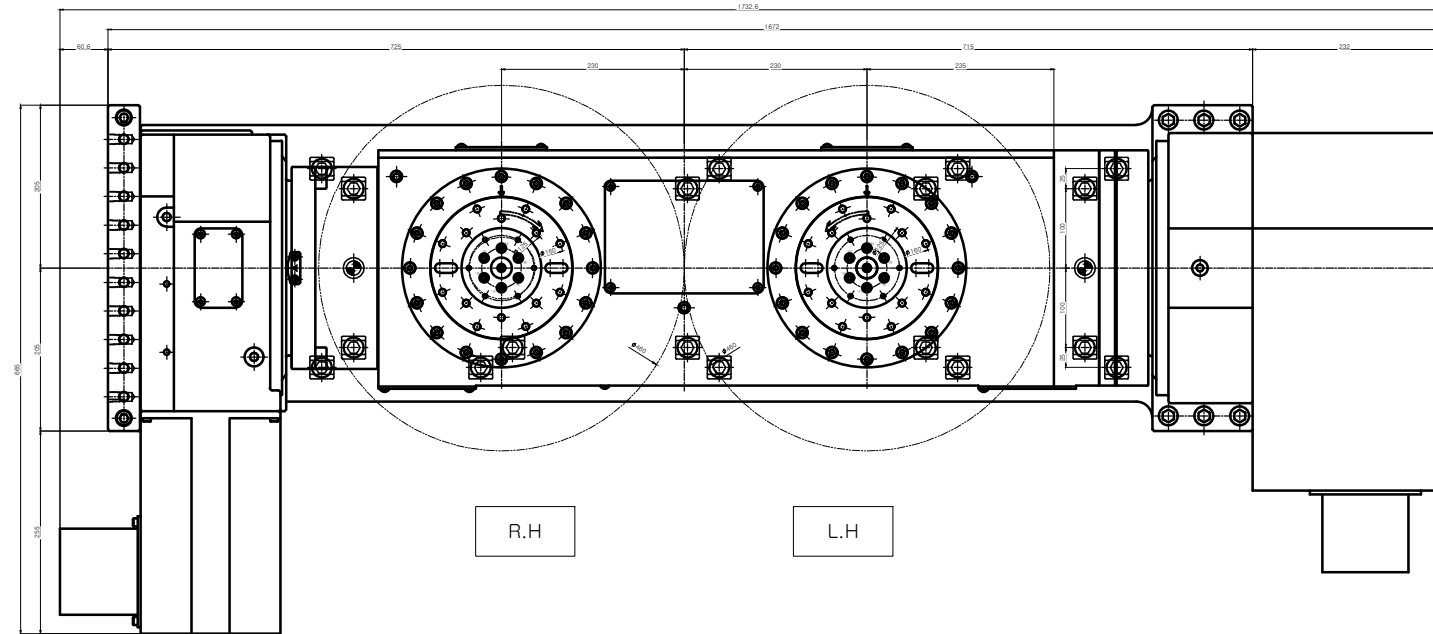


" 회전축 단면도 "

[MTRL2-25446FF Specifications]

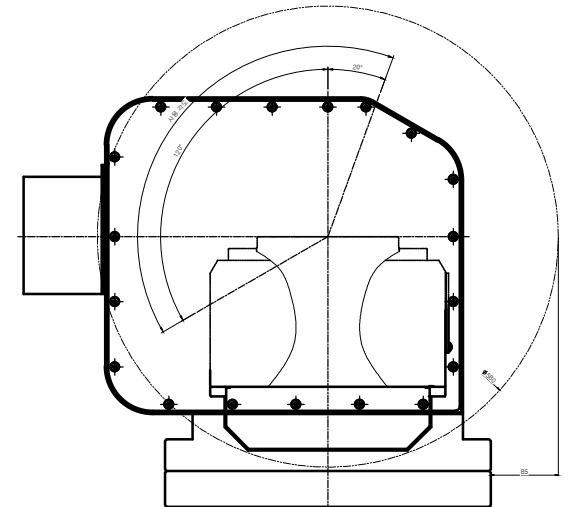
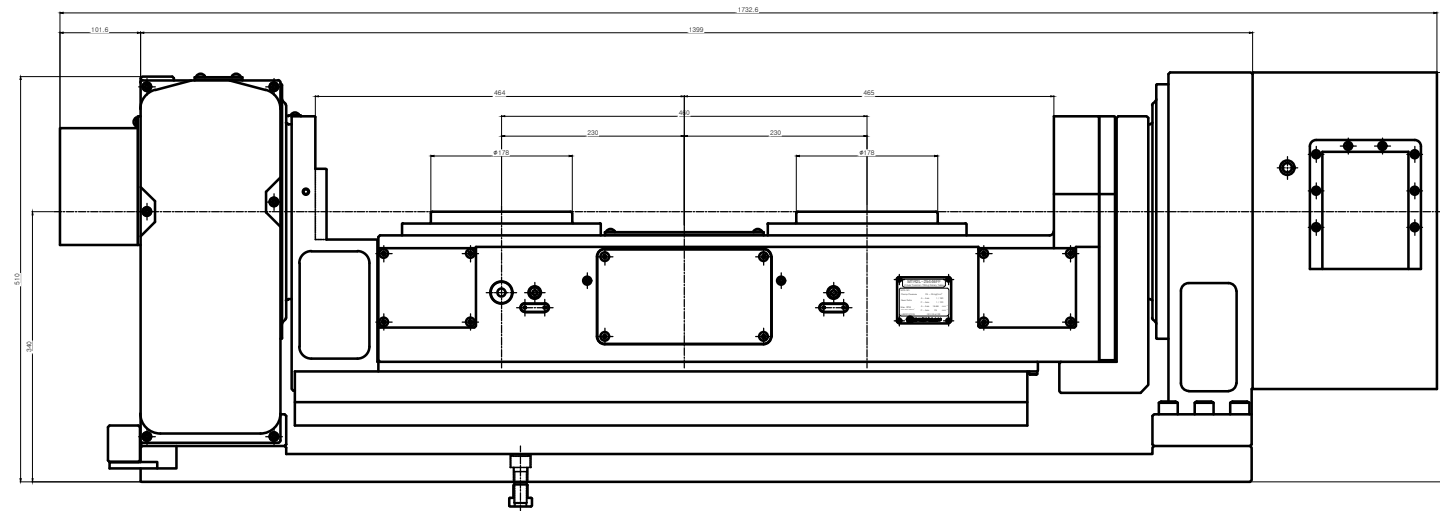
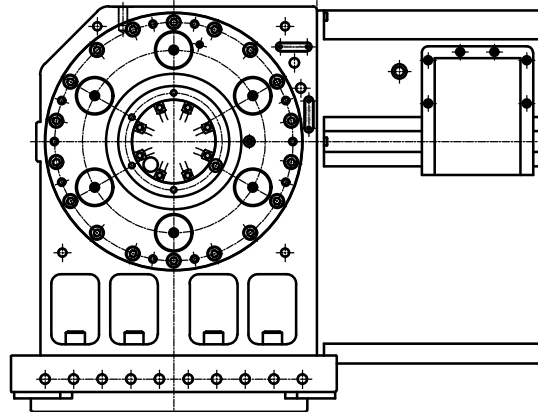
A축 사양 (경사)		C축 사양 (회전)	
Tilting Angle	-20° ~ +120°	Rotating Angle	360°
Clamp Force	2600 N.m	CLAMP FORCE	1600 N.m
Clamp Pressure	25 ~ 35 kgf/cm ²	Clamp Pressure	25 ~ 35 kgf/cm ²
Gear Ratio	1 / 180	Gear Ratio	1 / 120
Max. RPM	6.6 (Motor 3000 rpm)	Max. RPM	25 (Motor 3000 rpm)
Servo Motor	al FB / 3000	Servo Motor	al FB / 3000
		Work Weight (kgf)	Left Axis : 60 Right Axis : 60

Weight : - kgf (유압 배관 제외)



회전 방향

회전 방향



△					
△					
△					
△					

TITLE	Multi Spindle NC Rotary Table	REV	002	표 명 도
DWG NO.	MTRL2-25446FF-V1.0-S01-00	USER		
CODE NO.		DEPT	Research & Development	
DATE	2017. 01. 15			
SCALE	1:1	Approved	Checked	Designed

