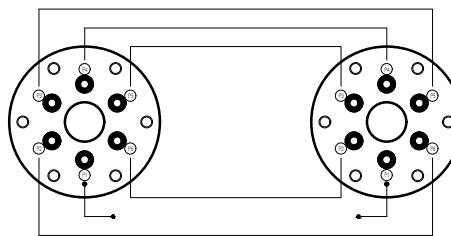
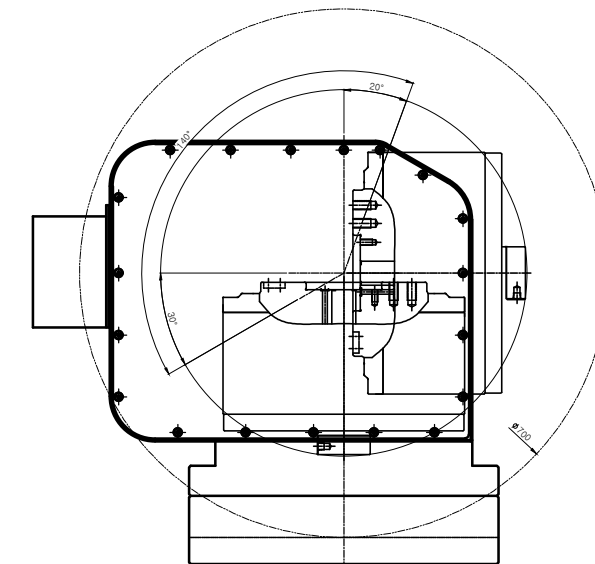
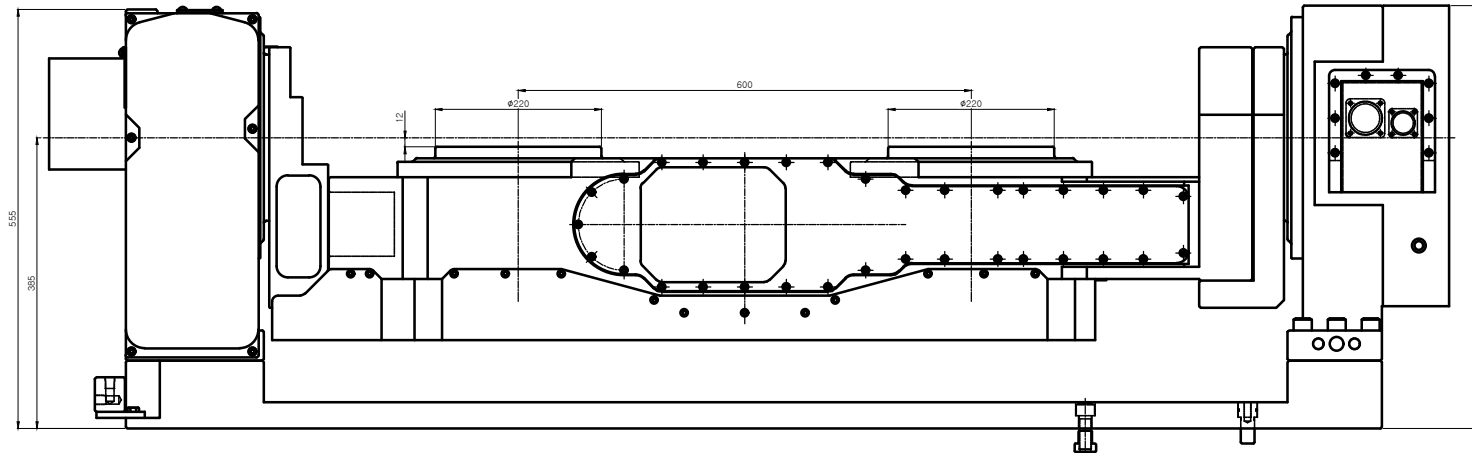
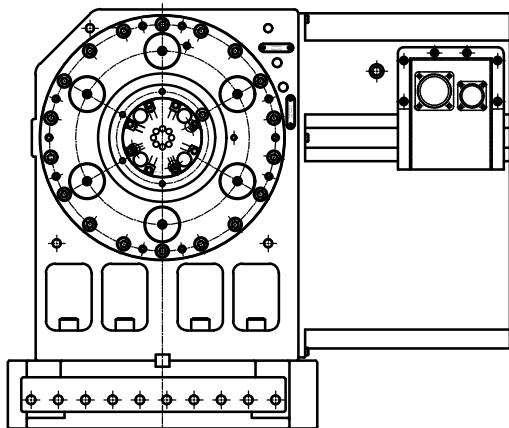


표준 회전 치수 : 280 mm
표준 수 치수 : 310 mm



[MTR2L-32460FF Specifications]

A축 사양 (경사)		C축 사양 (회전)	
Tilting Angle	-20° ~ +120°	Rotating Angle	360°
Clamp Force	2600 N.m	CLAMP FORCE	2600 N.m
Clamp Pressure	25 ~ 35 kg/cm ²	Clamp Pressure	25 ~ 35 kg/cm ²
Gear Ratio	1 / 180	Gear Ratio	1 / 120
Max. RPM	6.6 (Motor 3000 min ⁻¹)	Max. RPM	25 (Motor 3000 min ⁻¹)
Servo Motor	시 FB / 3000	Servo Motor	시 FB / 3000
Work Weight (kg)	Left Axis : 100 Right Axis : 100	Weight	950 kgf



△				
△				
△				
△				

TITLE	Multi Spindel NC Rotary Table	PART NAME	외형도
DRG NO.	MTR2L-32460FF-V1.0-S01-00	USER	-
CODE NO.	-	DEPARTMENT	Research & Development
SCALE	1 : 1	DATE	2017. 01. 15
	Approved	Checked	Designed

