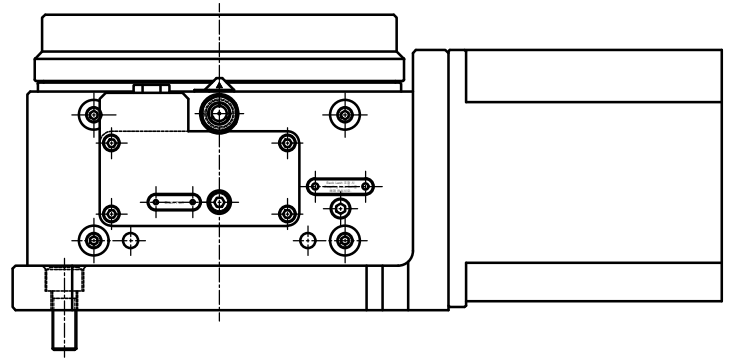
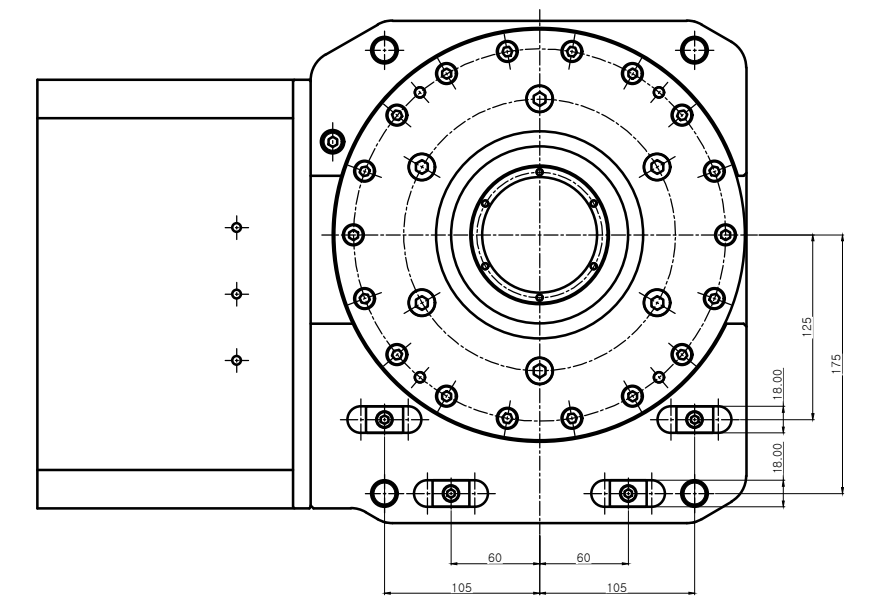
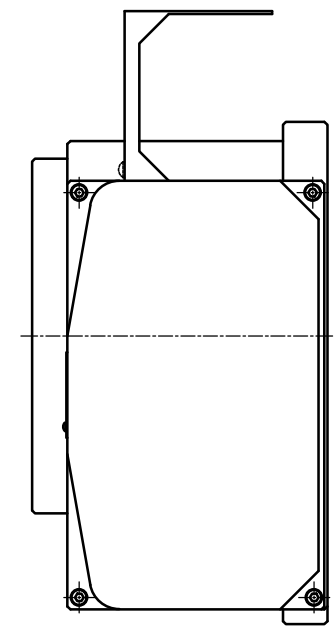
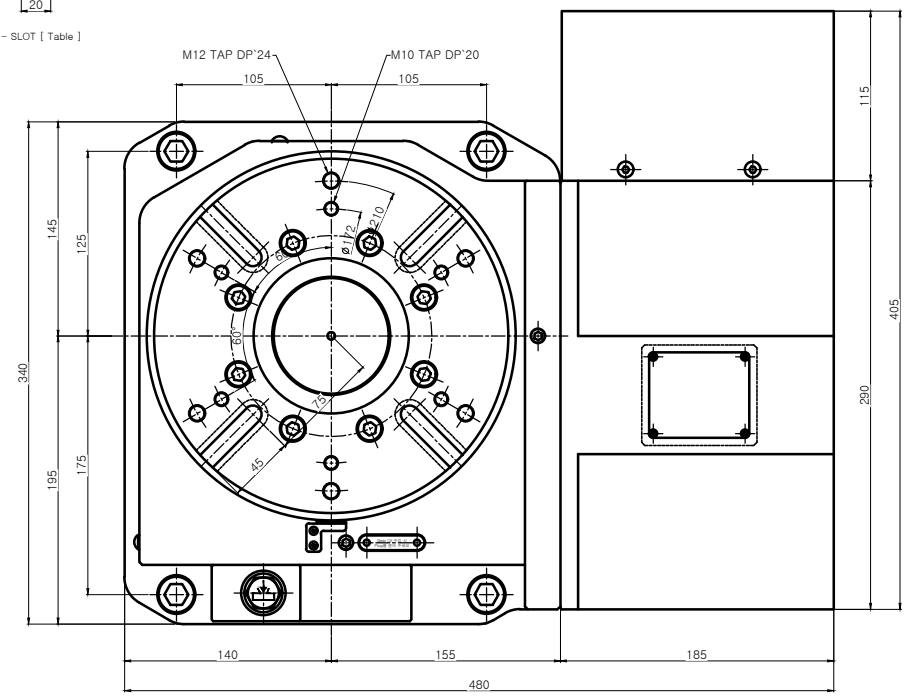
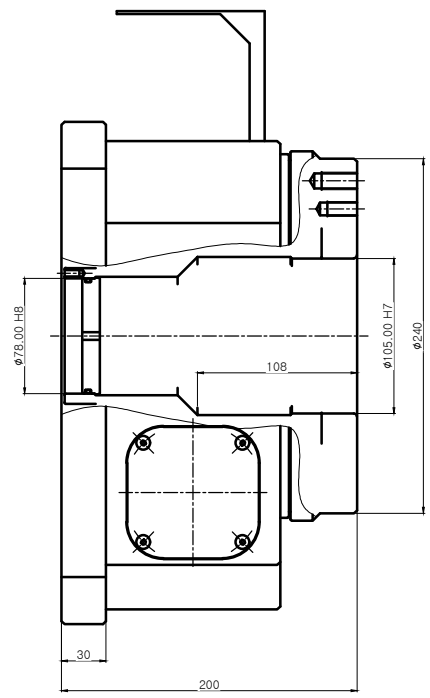
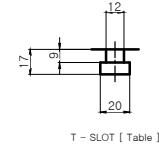
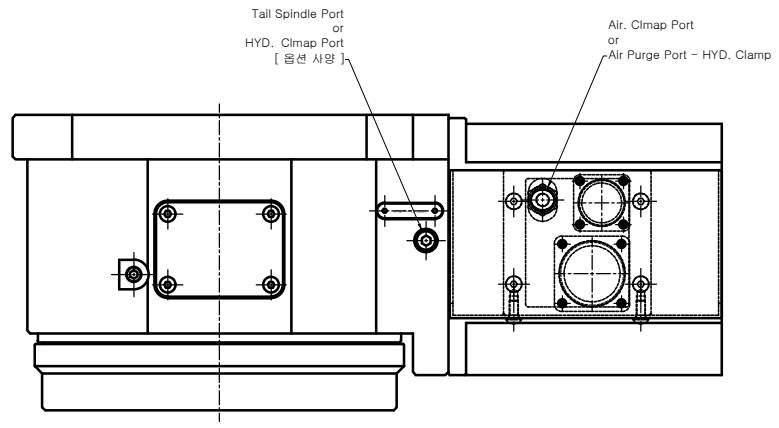


변경 사항				
기호	변경 내용	날짜	수정	승인



Specifications	
Table DIA.	∅250
Gear Ratio	1 / 60
Max. Spindle Speed	66 min ⁻¹
	Servo Motor 4000 min ⁻¹
Clamp Method	Air [5 ~ 7 bar] - standard HYD. [25 ~ 35 bar] - option
Mass of Product	kg
-	-
-	-

TITLE	High Speed & Horizontal	PART NAME	외 형 도
DRG. NO.	RHB-250F4-V1.0-00	USER	-
CODE NO.	-	SPRINGER	Research & Development
		DATE	2017. 09. 10
SCALE	1 : 1	Approved	Checked
			Designed

