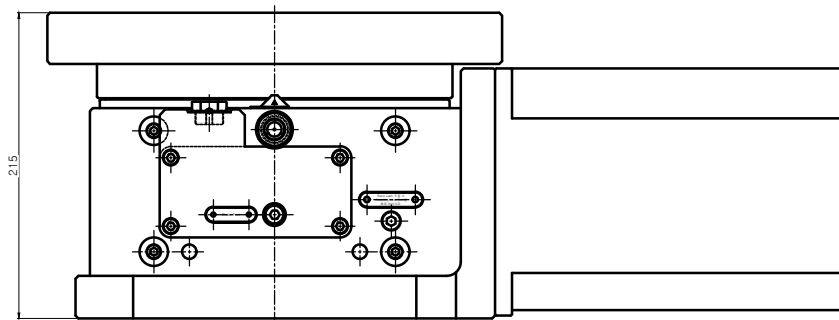
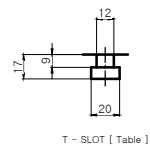
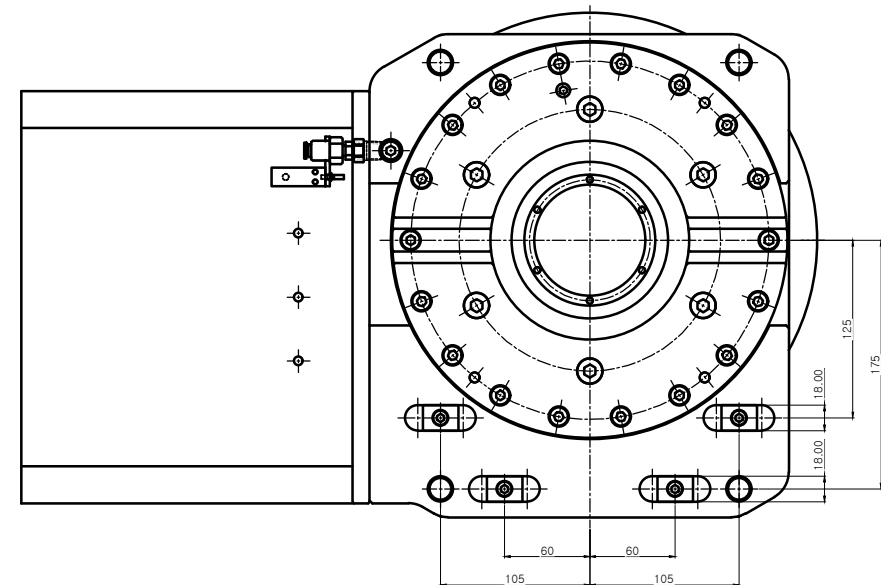
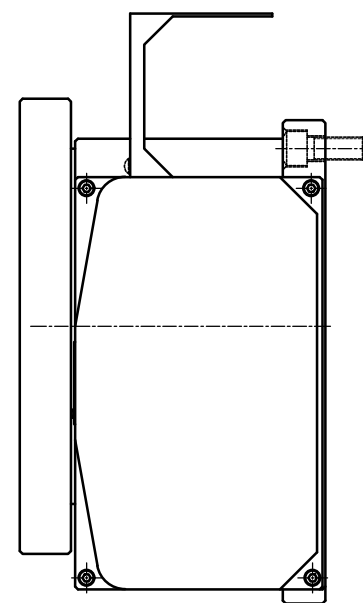
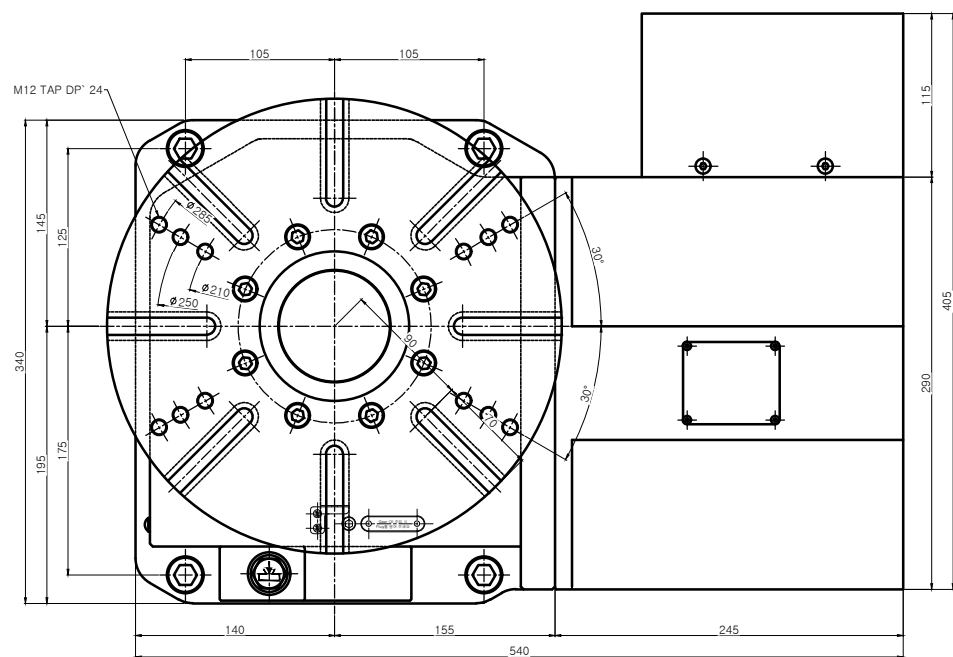
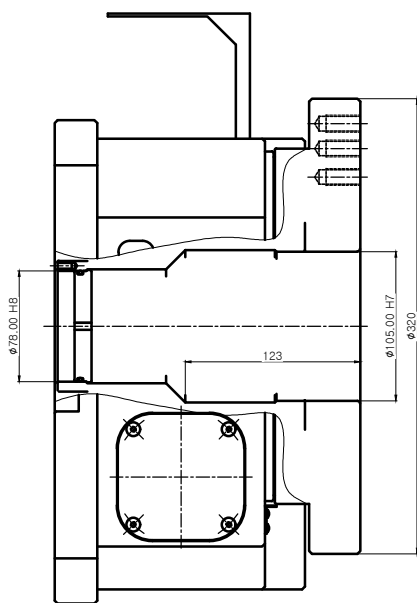
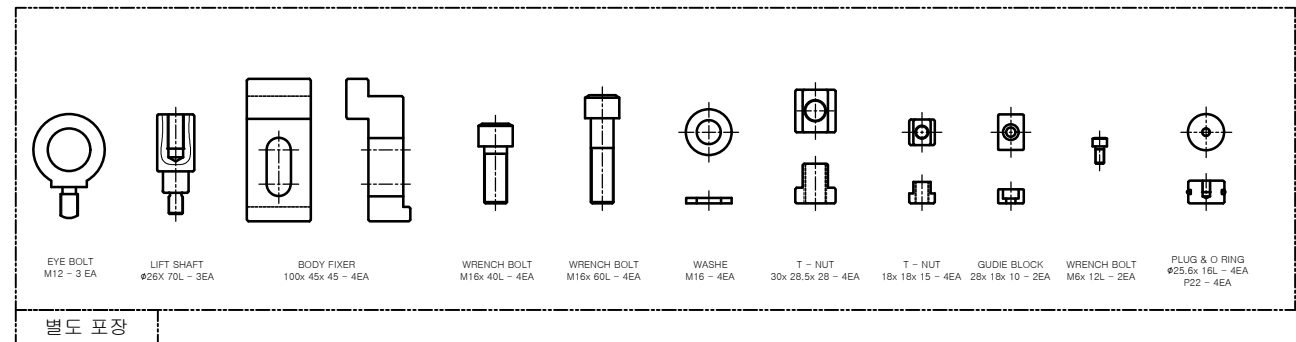
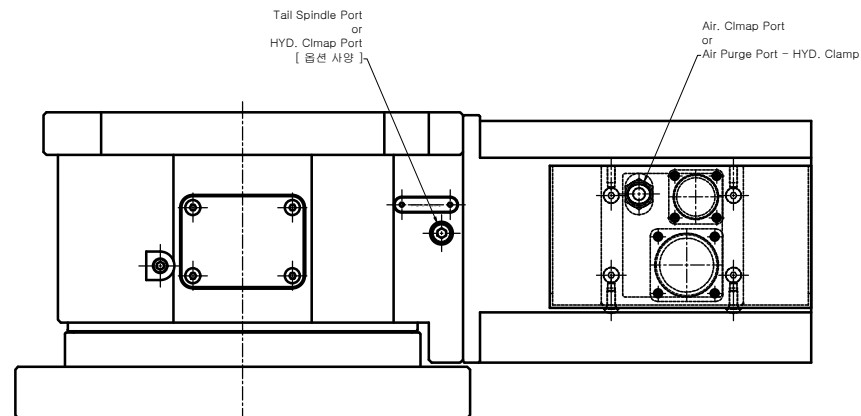


변경 사항			
기호	변경 내용	날짜	수정 승인
△			
△			



Specifications	
Table DIA.	φ320
Gear Ratio	1 / 60
Max. Spindle Speed	66 min <sup>-1</sup> Servo Motor 4000 min <sup>-1</sup>
Clamp Method	Air [ 5 ~ 7 bar ] - standard HYD. [ 25 ~ 35 bar ] - option
Mass of Product	kg

TITLE	High Speed & Horizontal	POST NAME	이철도
ORG. NO.	RHB-300FS-V1.0-00	USER	
CODE NO.		DEPARTMENT	Research & Development
DATE		DATE	
SCALE	1:1	Approved	Checked
		Designed	