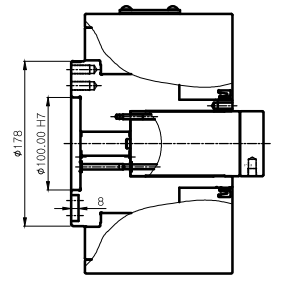
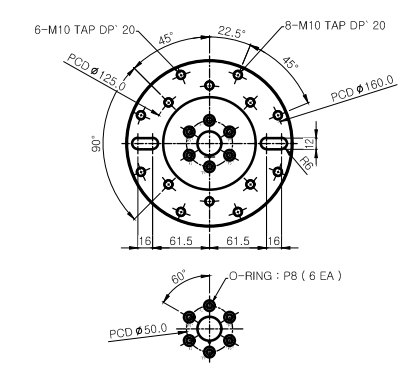
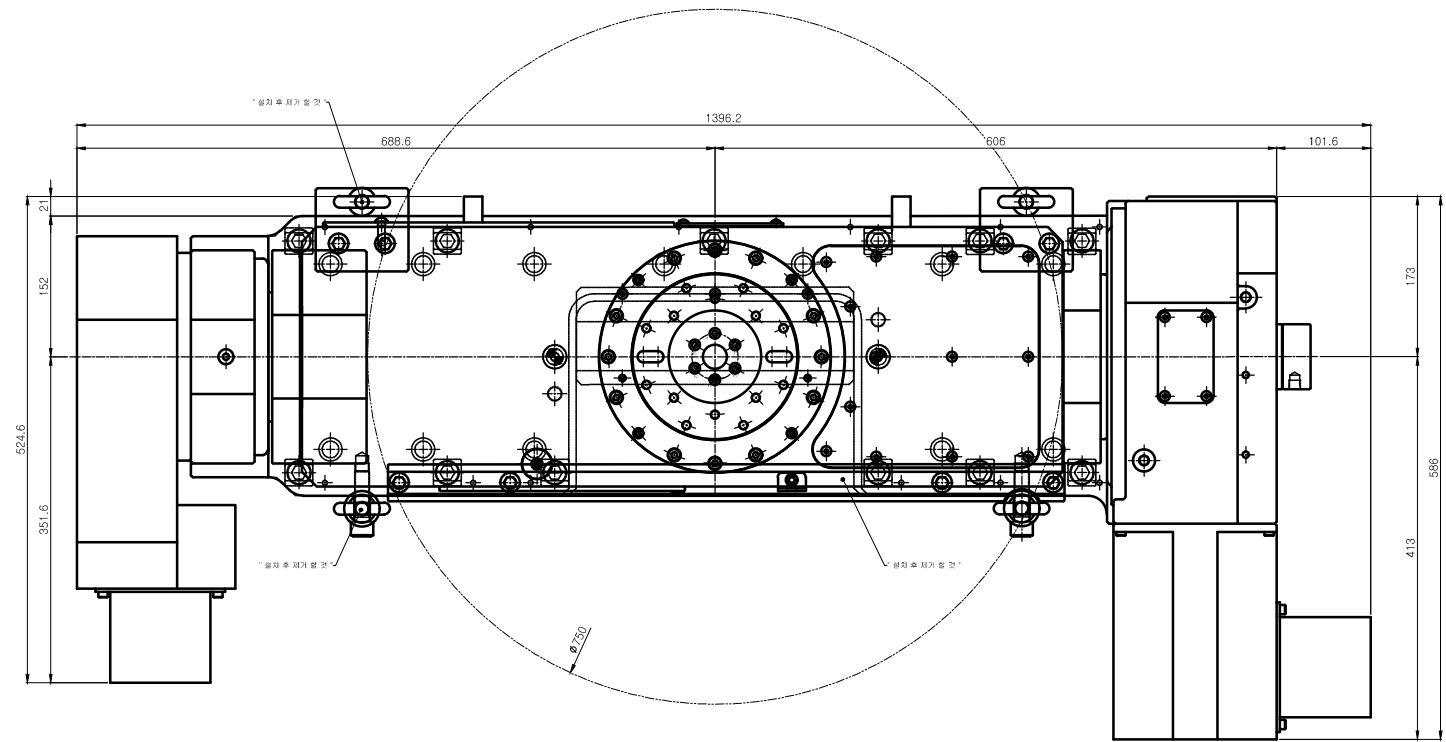
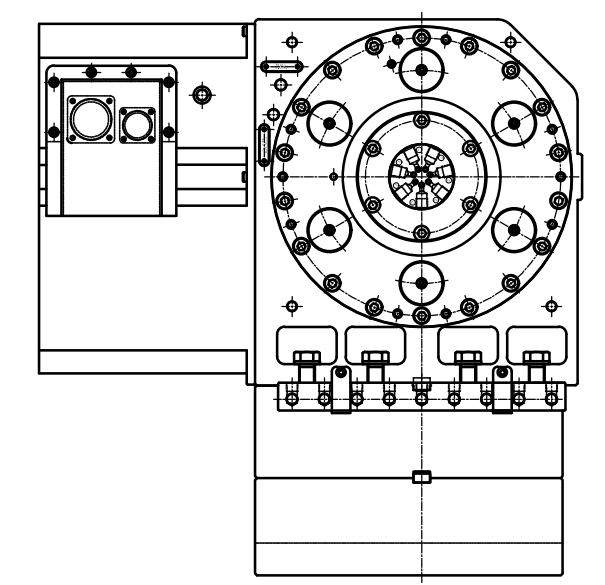
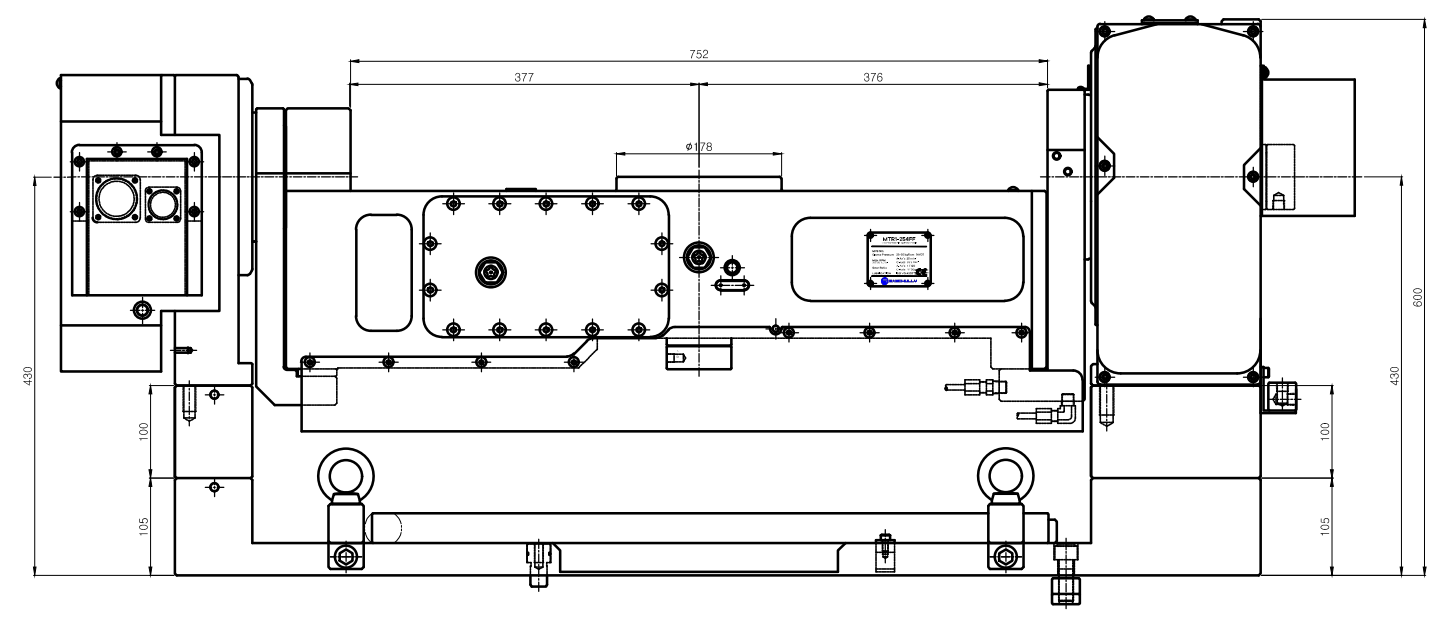
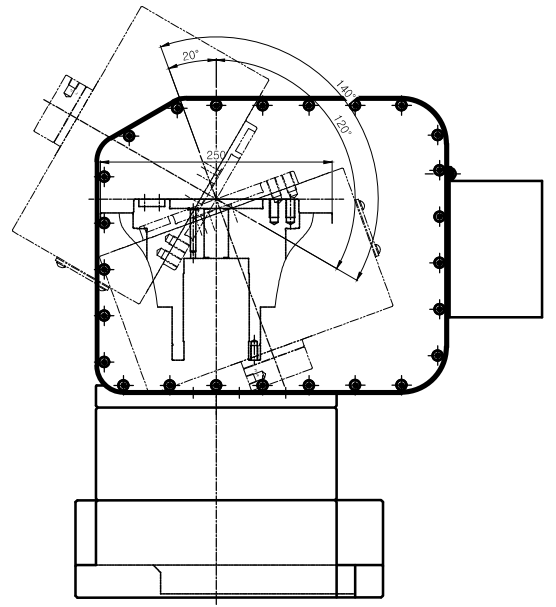


번경 사항		날짜	수경	승인
기호	변경내용			
△				
△				



[회전축 단면도]



[MTR1-254FF Specifications]			
A축 사양 (경사)		C축 사양 (회전)	
Tilting Angle	-20° ~ +120°	Rotating Angle	360°
Clamp Force	2600 N.m	CLAMP FORCE	1600 N.m
Clamp Pressure	25 ~ 35 kgf/cm ²	Clamp Pressure	25 ~ 35 kgf/cm ²
Gear Ratio	1 / 120	Gear Ratio	1 / 90
Max. RPM	25 (Motor 3000 min ⁻¹) at P8 / 3000	Max. RPM	33.3 (Motor 3000 min ⁻¹) at P4 / 4000
Servo Motor	{ A06B-0223-B100 }	Servo Motor	{ A06B-0223-B100 }
		Work Weight (kgf)	-

TITLE	1 Axis Trunnion Tilting	REV	MHE	영철도
DRG NO.	MTR1-254FF	USER		
CODE NO.	-	DEPT	Research & Development	
DATE		DATE		
SCALE	1:1	Approved	Checked	Designed

