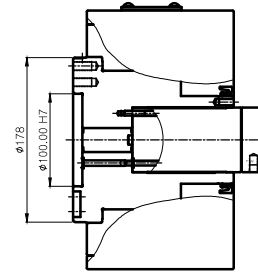
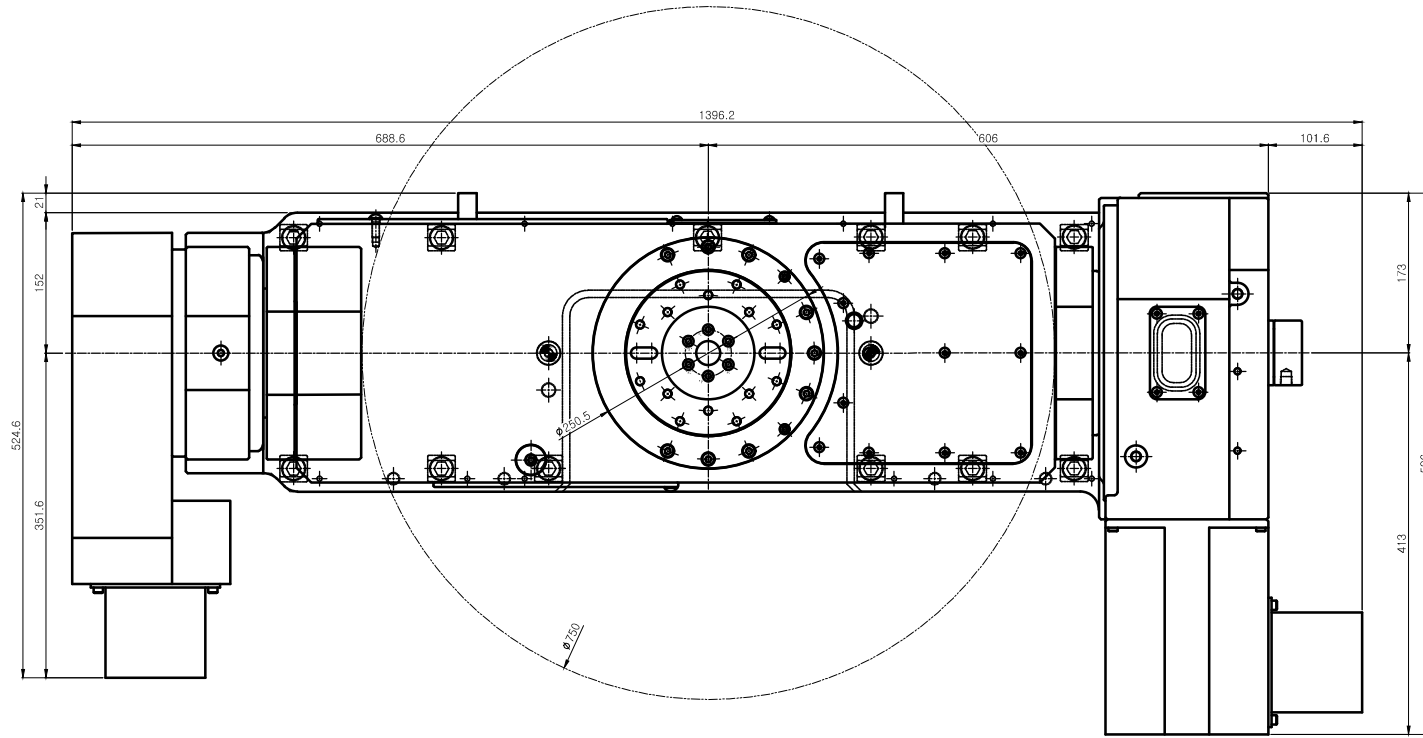
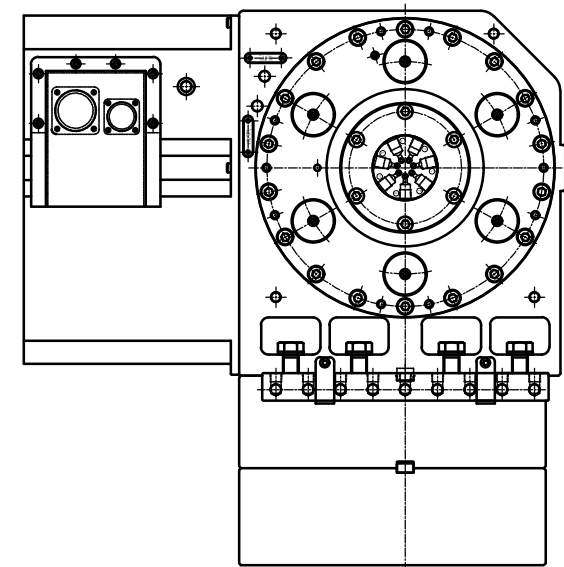
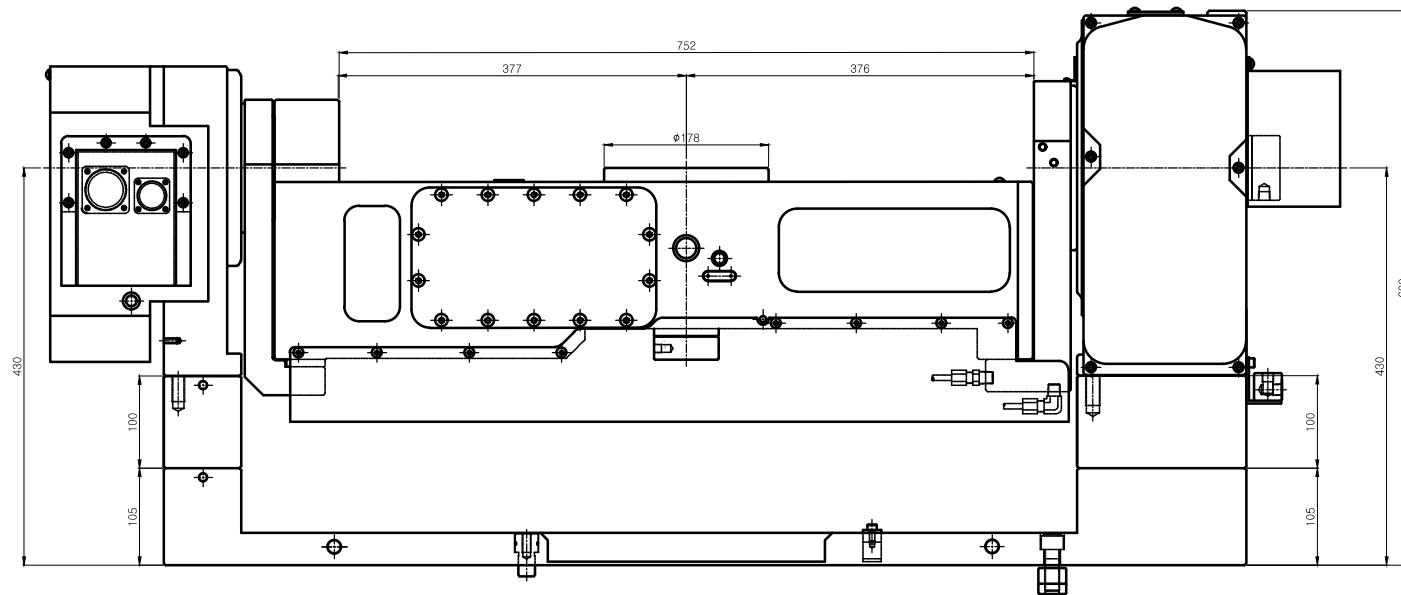
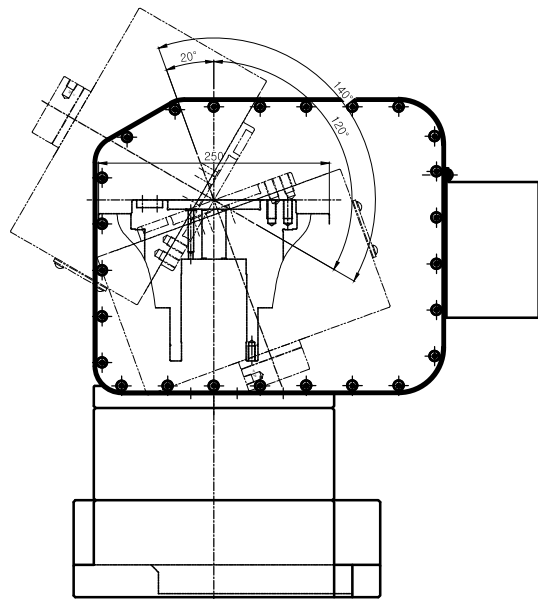


변경사항				
구분	변경내역	날짜	수정	승인
△				
△				



[ 회전축 단면도 ]



[ MTR1-254FF Specifications ]

A축 사양 (경사)		C축 사양 (회전)	
Tilting Angle	-20° ~ +120°	Rotating Angle	360°
Clamp Force	2600 N.m	CLAMP FORCE	1600 N.m
Clamp Pressure	25 ~ 35 kgf/cm <sup>2</sup>	Clamp Pressure	25 ~ 35 kgf/cm <sup>2</sup>
Gear Ratio	1 / 120	Gear Ratio	1 / 90
Max. RPM	25 (Motor 3000 min <sup>-1</sup> )	Max. RPM	33.3 (Motor 3000 min <sup>-1</sup> )
Servo Motor	SGM7G-20A7A6S	Servo Motor	SGM7G-20A7A6S
		Work Weight ( kgf )	-

TITLE	1 Axis Transition Tilting	REV. NAME	외형도
DRG NO.	MTR1-254FY-S00-V1.0-00	USCR	-
CODE NO.	-	DEPT	Research & Development
DATE		DATA	
SCALE	1 : 1	Approved	Checked
		Designed	

