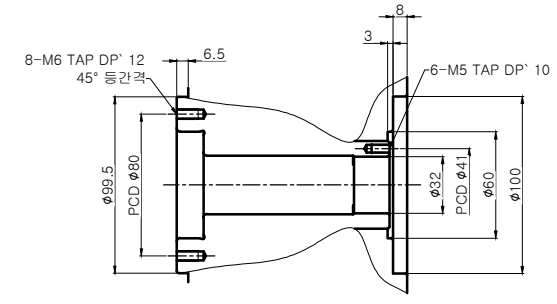


"TABLE 부착" - 옵션 사양

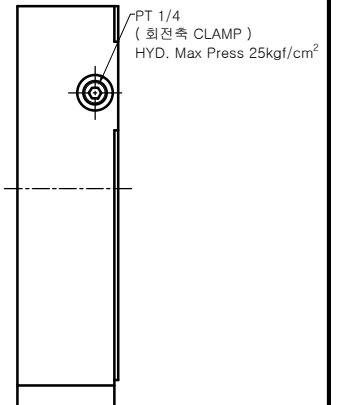
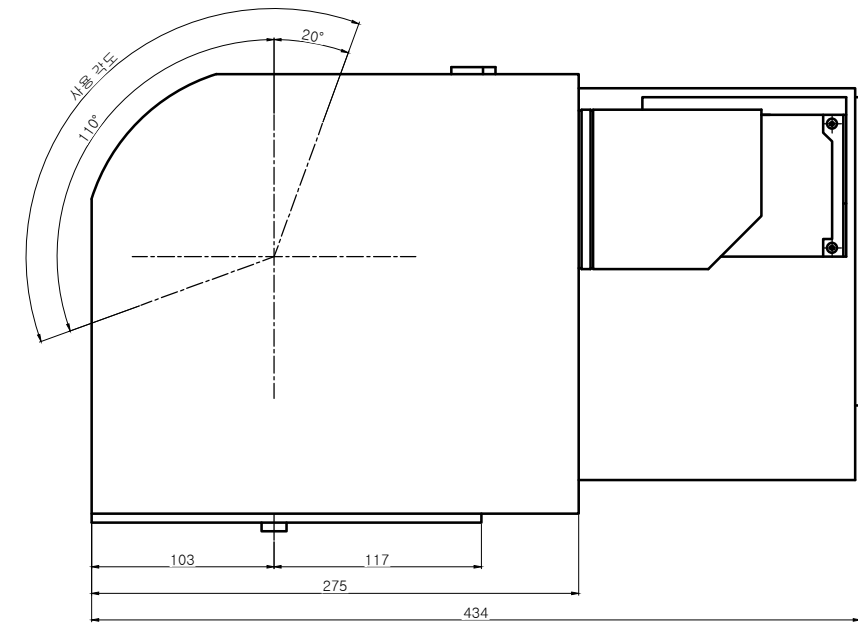
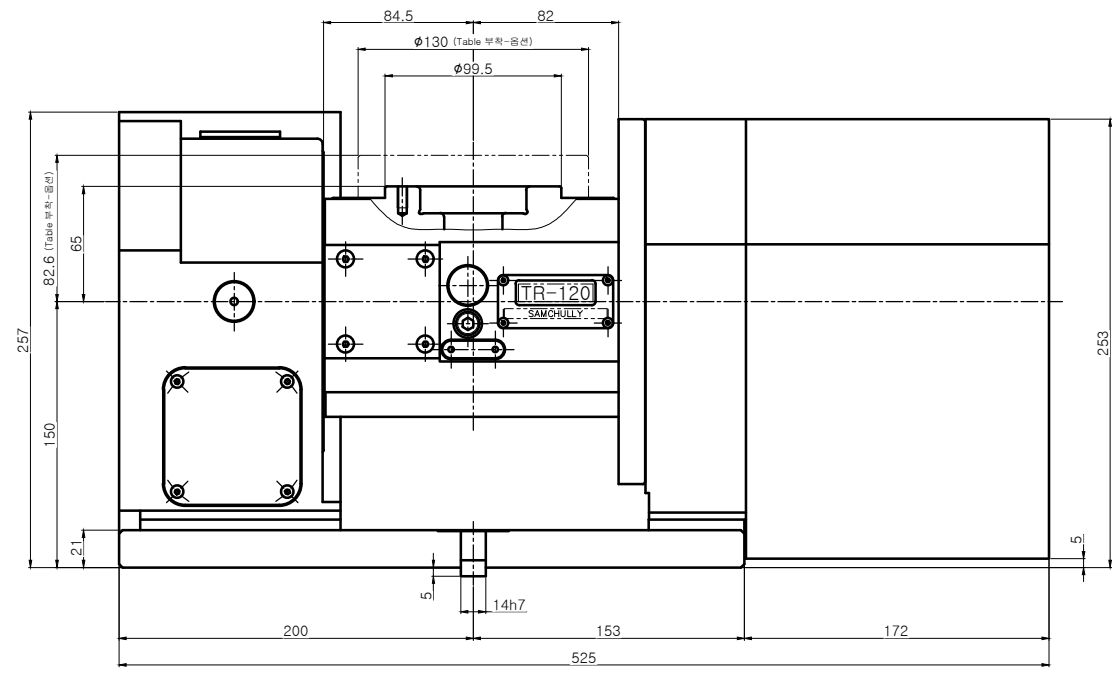
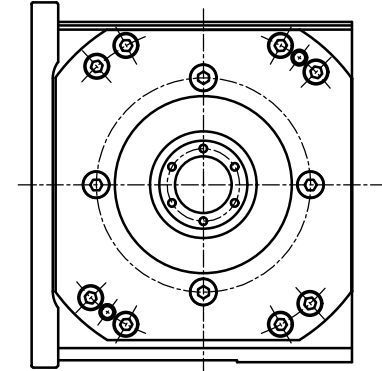


"TABLE 미부착" - 표준

[TR-120FF Specifications]

A축 사양 (경사)		C축 사양 (회전)	
Tilting Angle	+110° ~ -20°	Rotating Angle	360°
Clamp Force	300 N.m	CLAMP FORCE	200 N.m
Clamp Method	HYD. (Max 25MPa)	Clamp Method	HYD. (Max 25MPa)
Gear Ratio	1 / 180	Gear Ratio	1 / 90
Max. RPM	16.6 (Motor 3000 min ⁻¹)	Max. RPM	33.3 (Motor 3000 min ⁻¹)
Servo Motor	ai F2 / 5000	Servo Motor	ai F2 / 5000
		Work Weight (kgf)	35

Weight : 115 kgf



TITLE	Nc Rotary Table	PART NAME	외 형 도
DRG. NO.	TR-120FF-V1.00-S00-00	USER	-
CODE NO.	-	DEPARTMENT	Research & Development
SCALE	1:1	DATE	2009. 10. 10
Approved		Checked	Designed

