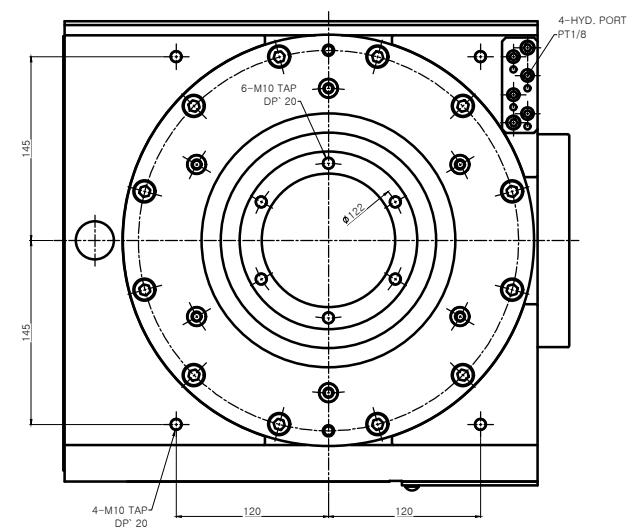
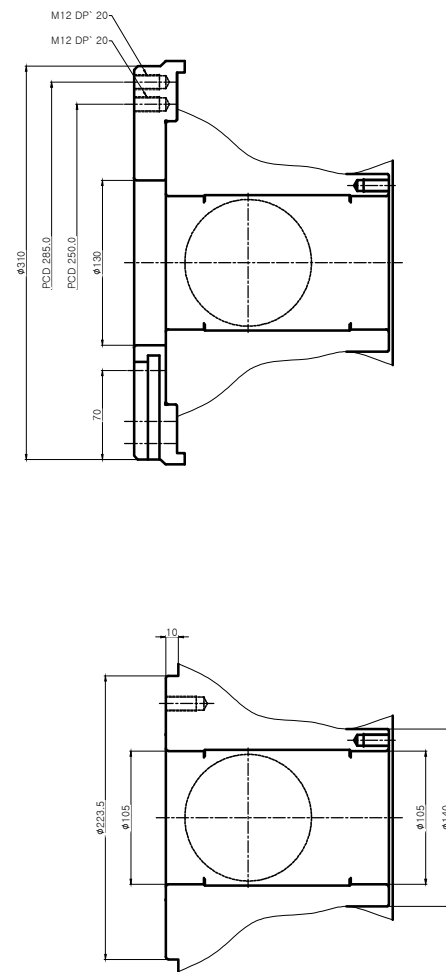
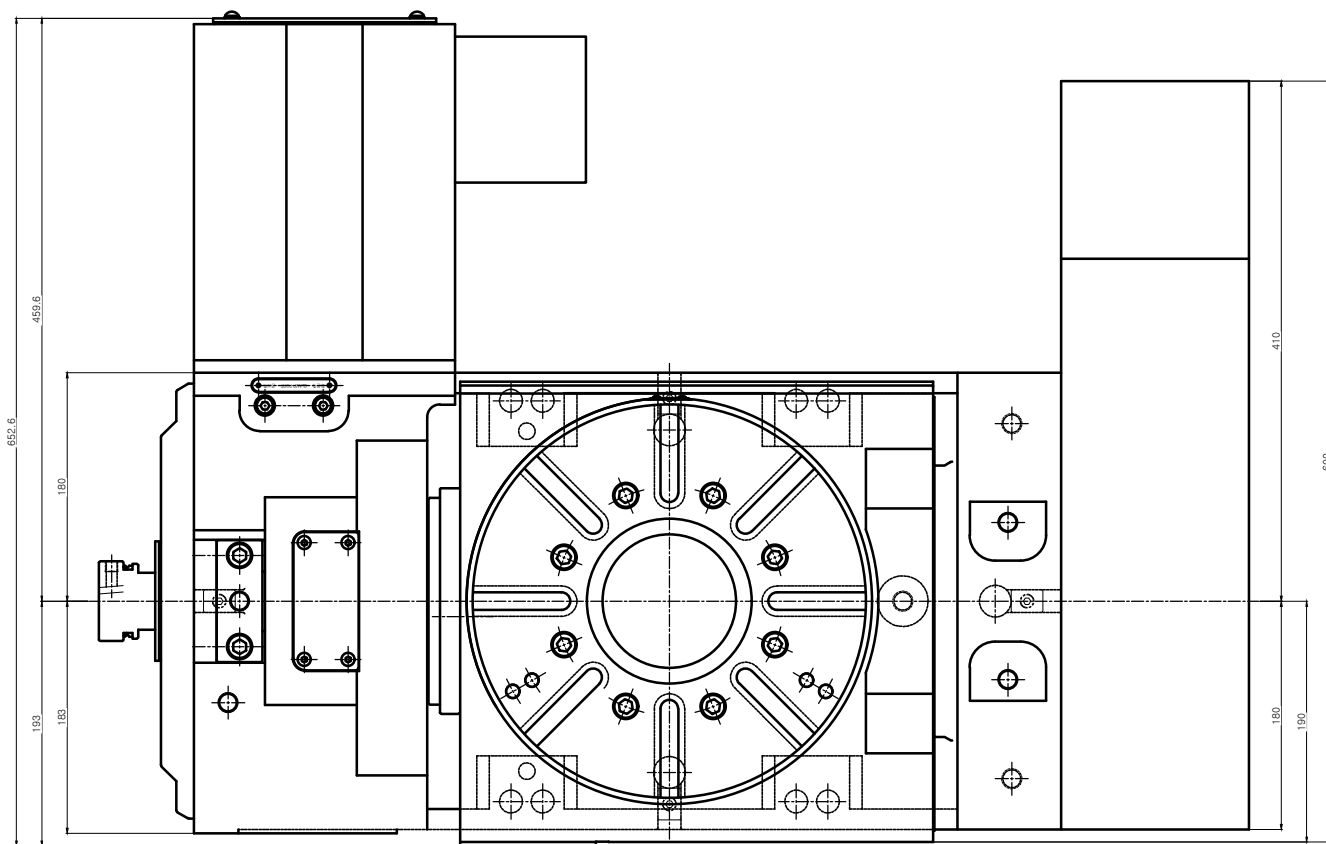
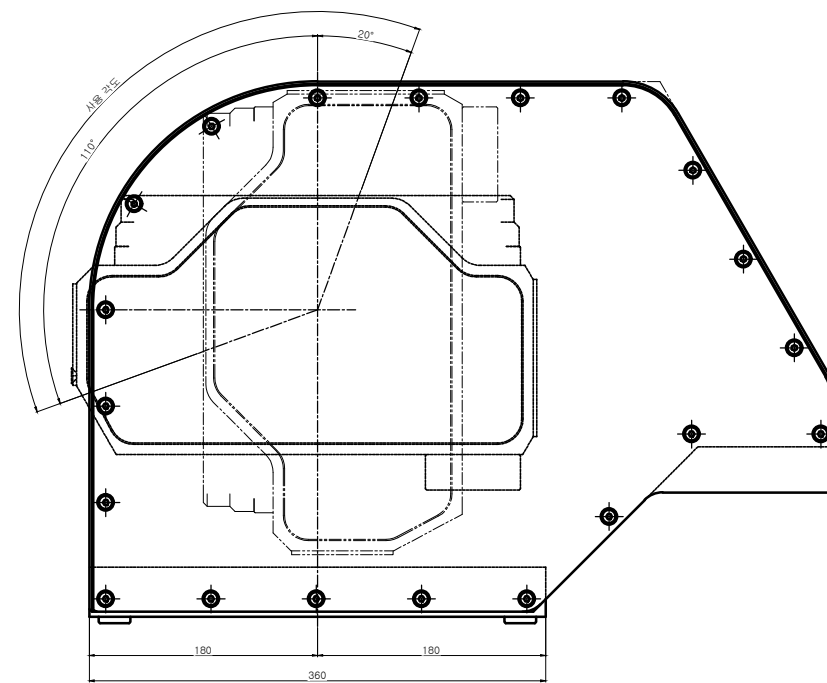
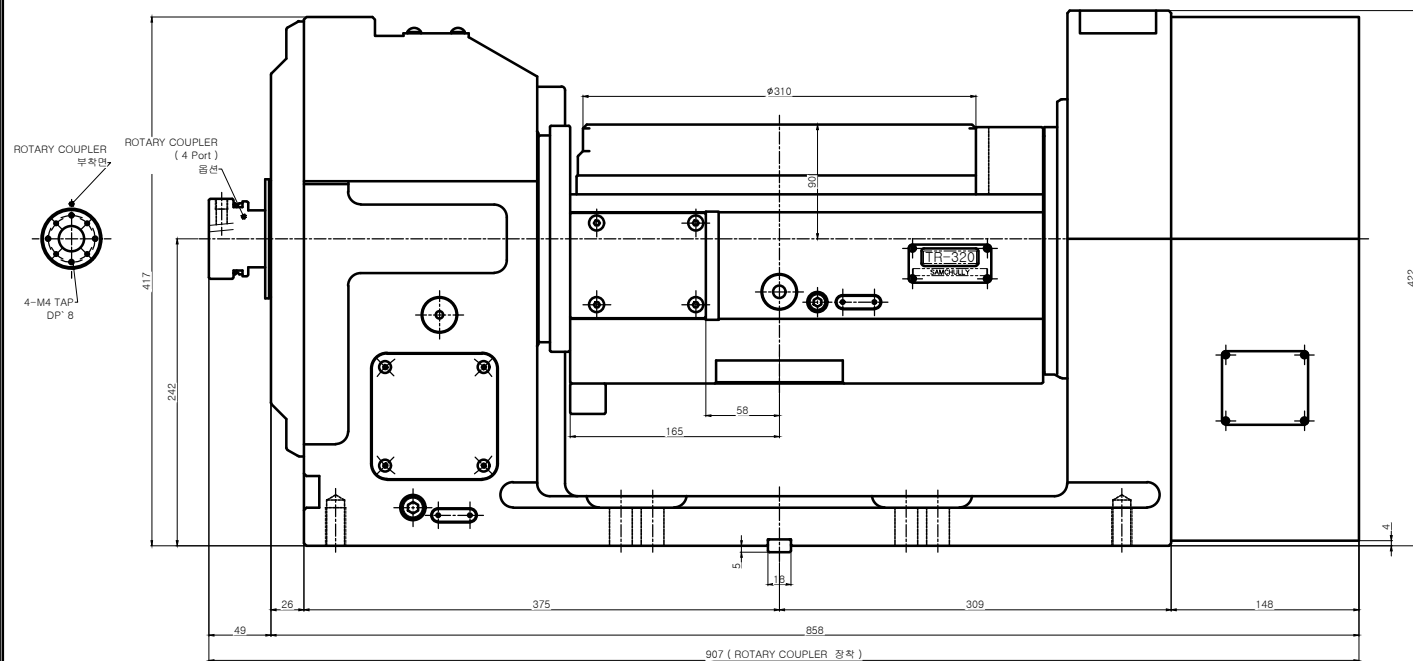


변경 사항				
기호	변경 내용	날짜	수정	인
△				
△				



회전 사양



[ TR-320FF Specifications ]

A 축 사양 ( 경사 )		C 축 사양 ( 회전 )	
Tilting Angle	+110° ~ -20°	Rotating Angle	360°
Clamp Force	- N.m	CLAMP FORCE	- N.m
Clamp Method	HYD. ( Max 3.5MPa )	Clamp Method	HYD. ( Max 3.5MPa )
Gear Ratio	1 / 120	Gear Ratio	1 / 120
Max. RPM	25 ( Motor 3000 min <sup>-1</sup> )	Max. RPM	25 ( Motor 3000 min <sup>-1</sup> )
Servo Motor	al F12 / 3000	Servo Motor	al FB / 3000
		Work Weight ( kgf )	150

Weight : 410 kgf

TITLE	Nc Rotary Table	PART NAME	외 형 도
DRG NO.	TR-320FF-S00-00	USER	-
CODE NO.	-	DEPARTMENT	Research & Development
DATE	2012. 10. 20		
SCALE	1 : 1	Approved	Checked
		Designed	

