

TABLE 부착 - 옵션

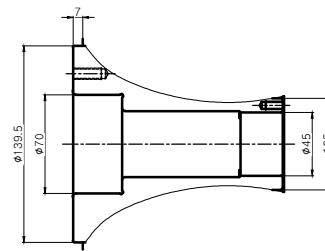
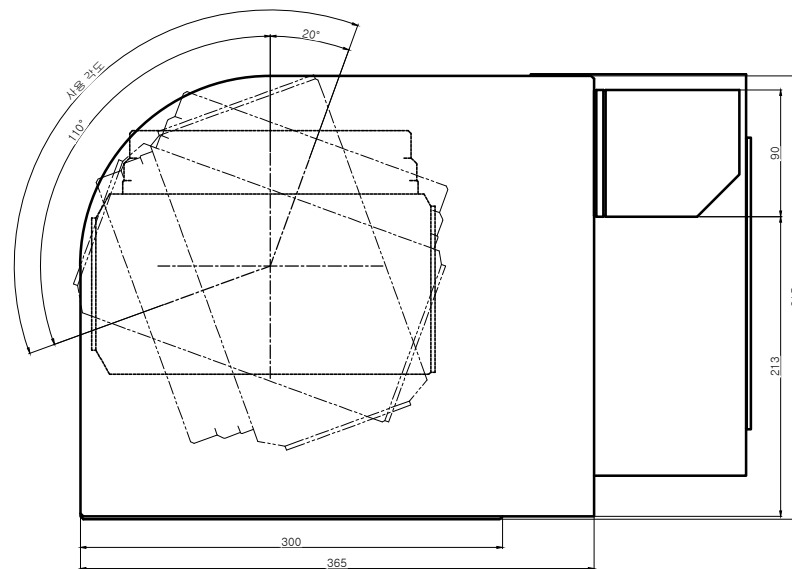
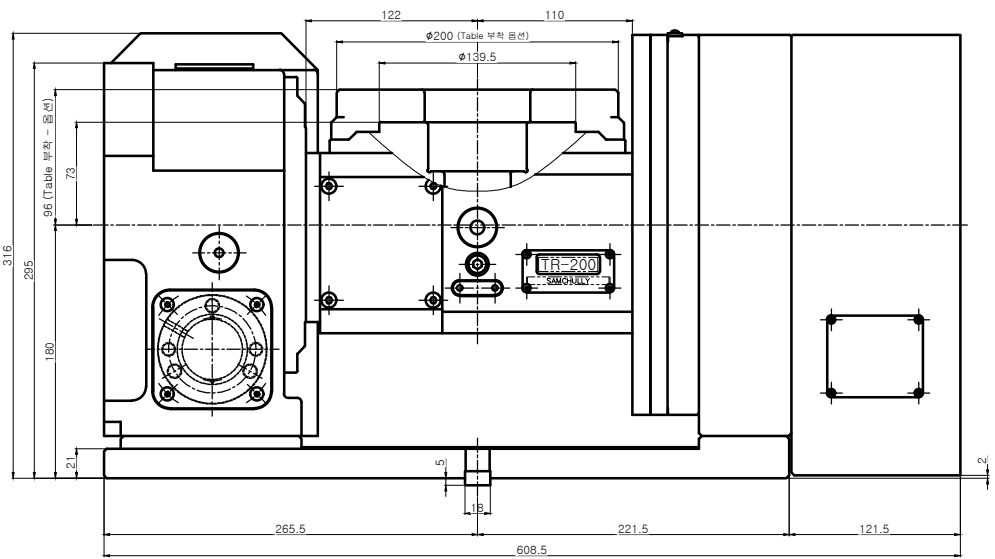
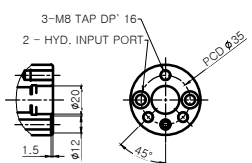
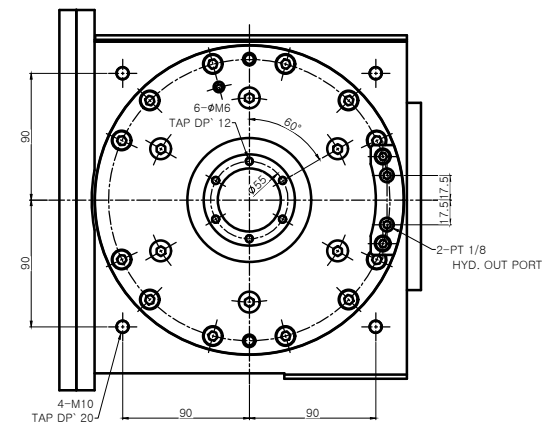


TABLE 미부착 - 표준

" 회전축 관련 상세도 "



[TR-200YY Specifications]

| A 축 사양 (경사) | | C 축 사양 (회전) | |
|---------------|---------------------------------------|---------------------|---------------------------------------|
| Tilting Angle | +110° ~ -20° | Rotating Angle | 360° |
| Clamp Force | 800 N.m | CLAMP FORCE | 450 N.m |
| Clamp Method | HYD. (Max 3.5MPa) | Clamp Method | HYD. (Max 3.5MPa) |
| Gear Ratio | 1 / 180 | Gear Ratio | 1 / 90 |
| Max. RPM | 16.6 (Motor 3000 min ⁻¹) | Max. RPM | 33.3 (Motor 3000 min ⁻¹) |
| Servo Motor | SGM7P-15A7A6S | Servo Motor | SGM7P-15A7A6S |
| | | Work Weight (kgf) | 60 |

Weight : 250 kgf

| | | | |
|----------|-----------------------|------------|------------------------|
| TITLE | Nc Rotary Table | DATE | 2010.11.10 |
| DRG. NO. | TR-200YY-V1.00-300-00 | USER | |
| CODE NO. | | DEPARTMENT | Research & Development |
| SCALE | 1:1 | DATE | 2010.11.10 |
| | Approved | Checked | Designed |